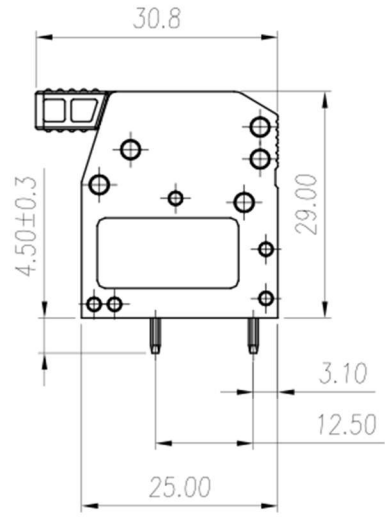
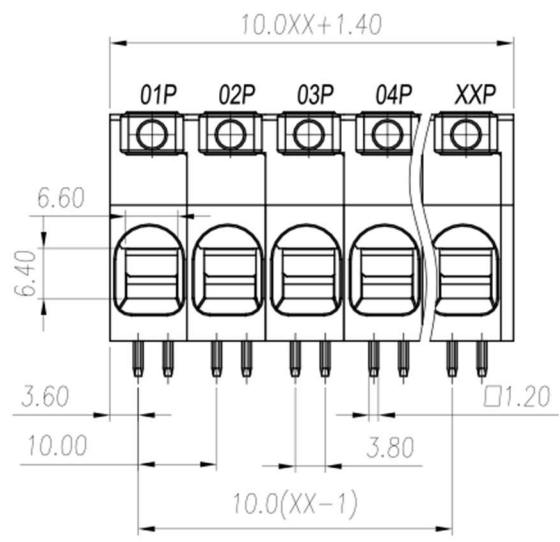
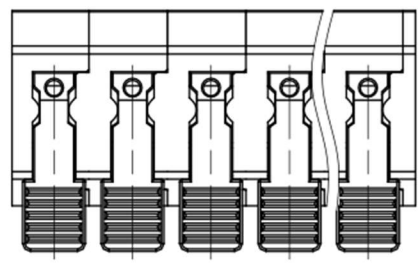
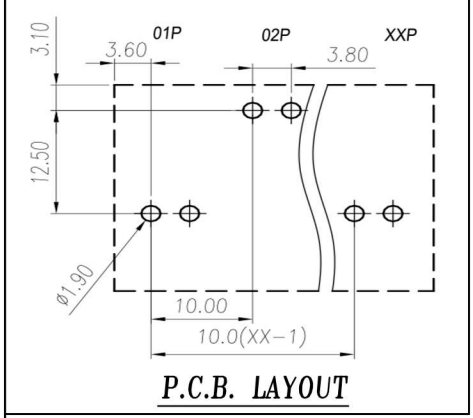


linear dimension(Tolerances Standard GB/T 14486-2008)								—		
variable range	to 6	over 6 to 10	over 10 to 30	over 30 to 60	over 60 to 100	over 100 to 160	over 160 to	to 10	over 10 to 100	over 100 to
tolerance	±0.20	±0.30	±0.50	±0.70	±1.00	±1.30	±1.60	0.10	0.30	0.60



UL/CUL 技术参数				
UL/CUL Technical Data				
等级	Use Group	B	C	D
额定电压	Rated Voltage [V]	600	600	-
额定电流	Rated Current [A]	51	51	-
接线范围	Wire Range	18-4		
单/多芯线	Solid/Stranded [AWG]			
耐电压	Withstanding Voltage	2200V/1Min		
IEC 技术参数				
IEC Technical Data				
过电压类别	Overvoltage Category	III	III	II
污染等级	Contamination Class	3	2	2
额定电压	Rated Voltage [V]	1000	1000	1000
额定电流	Rated Current [A]	76	76	76
额定冲击电压	Impulse withstand voltagea [KV]	8.0	8.0	8.0
导线截面积	Conductor cross section	0.2-16		
硬质/柔性导线	Solid/ flexible [mm ²]			
材料 Material				
绝缘材料	Insulation Material	PA66		
阻燃等级	Imflammability	UL94V-0		
导体材料	Contacto Material	铜合金 Copper alloy		
导体表面镀层	Contactive Coating	镀锡 Sn Plated		
一般参数 Other Data				
间距	Pitch [mm]	10.0		
极数	Poles [P]	02~18		
剥线长度	Stripping Length [mm]	17~18		
螺丝	Screw/扭矩 Torque(Max) [N.m]	-		
工作温度	Operating temperatur [°C]	-40~+105		
引针尺寸	Pin Dimensions [mm]	1.2*1.2		
PCB板孔径	PCB Hole Diameter [mm]	1.7		

DB240RB — 10.0 — XXP — C

(Series No.) (Pitch) (Poles)

(Color) : GN:(Green) , BK:(Black) , BU:(Blue) , RD:(Red) , GY:(Gray)
OG:(Orange) , WT:(White) , YL:(Yellow) , CR:(Clear)

APPD: JTING Chen	2023.4.6
CHKD: Duck Mao	2023.4.6
DRFT: Steven Lu	2023.4.6

DORABO 宁波地博电气有限公司
Ningbo Dorabo Electric CO., Ltd

NAME: DB240RB-10.0-XXP-C

	SIZE: A4		REV	TO-1
TYPE: CUSTOMER_DRAWING	SCALE: 1:1	SHEET	1/1	