



ORABO 地博

圆形连接器选型手册
CIRCULAR CONNECTOR BLOCK



ORABO 地博

轨装接线端子选型手册
RAIL-MOUNTED TERMINAL BLOCK



ORABO 地博

插拔式端子选型手册
PLUG-IN TERMINAL BLOCK



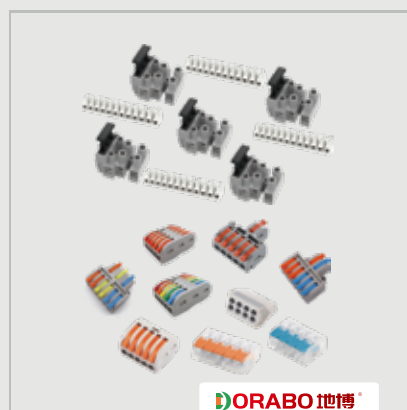
ORABO 地博

栅栏&弹片式端子选型手册
BARRIER TERMINAL & SHRAPNEL TERMINAL BLOCK



ORABO 地博

弹簧&升降式端子选型手册
SPRING-TYPE & LIFTING TERMINAL BLOCK



ORABO 地博

贯通&布线式端子选型手册
SELECTION MANUAL FOR THROUGH AND WIRED TERMINALS

ORABO 地博
Ningbo Dorabo Electric Co., Ltd



Scan WeChat



Scan WeChat



Scan WeChat

China Headquarters
Information inquiry, consulting services, FAQs
☎ +86-400-860-0988
✉ info@terminalblock.net

International Business Consulting
Information inquiry, consulting services, FAQs
☎ +86-13116659155 +86-13185980275
✉ steven.lu@terminalblock.net info@terminalblock.net

Technical consultation
Installation and debugging, application and configuration, troubleshooting
☎ +86-18106644275
✉ tech@terminalblock.net

Domestic business consulting
Product selection and solution consulting
☎ +86-18058513799 +86-18106644275 +86-18966387535
✉ sale@terminalblock.net



ORABO 地博

圆形连接器选型手册
CIRCULAR CONNECTOR BLOCK



宁波地博电气有限公司是全球知名的工业连接器整体解决方案提供商、是一家全球瞩目的接线端子和工业电气连接领域顶级制造商,产品畅销中国、美国、德国、英国、意大利、西班牙、日本、新加坡等100多个国家和地区,为全球工业自动化、仪器仪表、电力电气、轨道交通、船舶、新能源、电梯、照明、安防、航空航天等行业提供优质服务,现各类产品均已通过CQC, UL, VDE, CE等多项安规认证和ISO9001、ISO14001等质量管理体系认证。

Ningbo Dorabo Electric Co., Ltd. is a globally renowned provider of integrated solutions for industrial connectors A globally renowned top manufacturer of wiring terminals and industrial electrical connections, with best-selling products in China, the United States, and Germany More than 100 countries and regions including China, the United Kingdom, Italy, Spain, Japan, Singapore, and others, providing global industrial automation Chemical, instrumentation, power and electrical, rail transit, ships, new energy, elevators, lighting, security, aerospace, etc The industry provides high-quality services, and all types of products have passed multiple safety regulations certifications such as CQC, UL, VDE, CE, etc ISO9001, ISO14001 and other quality management system certifications.

使命 Mission

追求全体员工物质和精神两方面的幸福，提升企业价值，
为人类和社会进步与发展做出贡献
Pursuit happiness of all staff in material & spiritual,
promote the enterprise value, contribute to the progress
& development for human & society



愿景 Corporation Vision

成为全球电气产业经营典范
To be the model of the global electric industry



核心价值观 Core Values

勤奋、创新、内求、利他
Diligence, Innovative, Self-seeking, Altruism



质量方针 Quality Policy

追求全程精益品质 持续改进 超越顾客期望 打造行业品牌
To pursuit full lean quality Continuous improvement Exceed
customers expectations Build industry brand



2024新启航 New sail in 2024

开启新征程，共创新辉煌
New journey, New success.
——系统性目标管理，数字化高效运营，打造坚实经营体质
—— Systematic target management,
Digital and efficient operation,
To create a solid management constitution.





M8和M12圆形连接器已经成为众多工业应用领域标准产品。速普紧凑型圆形连接器可为设备间信号、数据和电源传输提供全面的连接解决方案。我们可提供不同芯数和编码的连接器。除组装式连接器和预制线缆外，该系列产品还包括设备连接器和分线盒。

M8 and M12 circular connectors have become standard products are used in most industries. These compact circular connectors can easily transmit signals, data and power. We can provide connectors with different numbers of cores and codes, in addition to assembled connectors and molded cables the series also includes device connectors and junction boxes.

圆形连接器 Circular connector

- P07 概述/Introduction
- P07 优势/Advantage
- P09 产品选型/Product selection

M8系列连接器 M8 series connector

- P12 概述/Introduction
- P13 M8公直头, 预铸电缆, 非屏蔽/M8 Male straight cable connector,moulded,unshield
- P15 M8公弯头, 预铸电缆, 非屏蔽/M8 Male angled cable connector moulded unshield
- P17 M8母直头, 预铸电缆, 非屏蔽/M8 Female straight cable connector,moulded,unshield
- P19 M8母弯头, 预铸电缆, 非屏蔽/M8 Female angled cable connector moulded unshield
- P21 M8公直头, 预铸电缆, 屏蔽/M8 Male straight cable connector,moulded,shield
- P23 M8公弯头, 预铸电缆, 屏蔽/M8 Male angled cable connector,moulded,shield
- P25 M8母直头, 预铸电缆, 屏蔽/M8 Female straight cable connector,moulded,shield
- P27 M8母弯头, 预铸电缆, 屏蔽/M8 Female angled cable connector moulded,shield
- P29 M8公头, 面板式连接器, 板前安装(锁板螺母M8*0.5), 焊杯式/M8 Male panel mount connector,front mounting(panel nut M8*0.5)solder cup
- P31 M8公头, 面板式连接器, 板后安装(锁板螺母M8*1.0), 焊杯式/M8 Male panel mount connector (panel nut M8*1.0)rear mounting,solder cup
- P33 M8公头, 面板式连接器, 板前安装(锁板螺母M8*0.5), 带0.5米电子线/M8 Male panel mount connector,front mounting(panel nut M8*0.5),with 0.5m wires
- P35 M8公头, 面板式连接器, 板后安装(锁板螺母M8*1.0), 带0.5米电子线/M8 Male panel mount connector(panel nut M8*1.0)rear mounting,with 0.5m wires
- P37 M8母头, 面板式连接器, 板前安装(锁板螺母M8*0.5), 焊杯式/M8 Female panel mount connector,front mounting(panel nut M8*0.5),solder cup
- P39 M8母头, 面板式连接器, 板后安装(锁板螺母M10*0.75), 焊杯式/M8 Female panel mount connector(panel nut M10*0.75)rear mounting,solder cup
- P41 M8母头, 面板式连接器, 板前安装(锁板螺母M8*0.5), 带0.5米电子线/M8 Female mount connector,front ,mounting(panel nut M8*0.5),with 0.5m wires
- P43 M8母头, 面板式连接器, 板后安装(锁板螺母M10*0.75), 带0.5米电子线/M8 Female panel mount connector (panel nut M10*0.75)rear mounting,with 0.5m wires
- P45 M8公直头, 组装式(现场接线), 非屏蔽, 锁螺钉式/M8 Male straight connector,assembly(field)unshield,screw
M8公弯头, 组装式(现场接线), 非屏蔽, 锁螺钉式/M8 Male angled connector,assembly(field)unshield,screw
- P46 M8母直头, 组装式(现场接线), 非屏蔽, 锁螺钉式/M8 Female straight connector,assembly(field),unshield,screw
M8母弯头, 组装式(现场接线), 非屏蔽, 锁螺钉式/M8 Female angled connector,assembly(field),unshield,screw
- P47 M8公直头, 组装式(现场接线)屏蔽, 锁螺钉式/M8 Male straight connector,assembly(field),shield,screw
M8母直头, 组装式(现场接线)屏蔽, 锁螺钉式/M8 Female straight connector,assembly(field),shield,screw



M12系列连接器 M12 series connector

- P48 概述/Introduction
- P49 M12公直头, 预铸电缆, 非屏蔽/M12 Male straight cable connector,moulded,unshield
- P51 M12公弯头, 预铸电缆, 非屏蔽/M12 Male angled cable connector,moulded,unshield
- P53 M12母直头, 预铸电缆, 非屏蔽/M12 Female straight cable connector,moulded,unshield
- P55 M12母弯头, 预铸电缆, 非屏蔽/M12 Female angled cable connector,moulded,unshield
- P57 M12公直头, 预铸电缆, 屏蔽/M12 Male straight cable connector,moulded,shield
- P59 M12公弯头, 预铸电缆, 屏蔽/M12 Male angled cable connector,moulded,shield
- P61 M12母直头, 预铸电缆, 屏蔽/M12 Female straight cable connector,moulded,shield
- P63 M12母弯头, 预铸电缆, 屏蔽/M12 Female angled cable connector,moulded,shield
- P65 M12公头, 面板式连接器, 板前安装(锁板螺母可选), 焊接/M12 Male panel mount connector,front mounting(panel nut optional),solder
- P67 M12公头, 面板式连接器, 板后安装(锁板螺母可选), 焊接/M12 Male panel connector,(panel nut optional)rear mounting,solder
- P69 M12公头, 面板式连接器, 板前安装(锁板螺母可选), 带0.5米电子线/M12 Male panel mount connector,front mounting(panel nut optional),with 0.5m wires
- P71 M12公头, 面板式连接器, 板后安装(锁板螺母可选), 带0.5米电子线/M12 Male panel mount connector,(panel nut optional)rear mounting,with 0.5m wires
- P73 M12母头, 面板式连接器, 板前安装(锁板螺母可选), 焊接/M12 Female panel mount connector,front mounting(panel nut optional),solder
- P75 M12母头, 面板式连接器, 板后安装(锁板螺母可选), 焊接/M12 Female panelmount connector,(panel nut optional)reas mounting,solder
- P77 M12母头, 面板式连接器, 板前安装(锁板螺母可选), 带0.5米电子线/M12 Female panel mount connector,front mounting(panel nut optional),with 0.5m wires
- P79 M12母头, 面板式连接器, 板后安装(锁板螺母可选), 带0.5米电子线/M12 Female panel mount connector,(panel nut optional)rear mounting,with 0.5m wires
- P81 M12公直头, 组装式(现场接线), 非屏蔽, 锁螺钉式/M12 Male straight connector,assembly(field),unshield,screw
- P82 M12公弯头, 组装式(现场接线), 非屏蔽, 锁螺钉式/M12 Male angled connector,assembly(field),unshield,screw
- P83 M12母直头, 组装式(现场接线), 非屏蔽, 锁螺钉式/M12 Female straight connector,assembly(field),unshield,screw
- P84 M12母弯头, 组装式(现场接线), 非屏蔽, 锁螺钉式/M12 Female angled connector,assembly(field),unshield,screw
- P85 M12公直头, 组装式(现场接线), 屏蔽, 锁螺钉式/M12 Male straight connector,assembly(field),shield,screw
- P86 M12公弯头, 组装式(现场接线), 屏蔽, 锁螺钉式/M12 Male angled connector,assembly(field),shield,screw
- P87 M12母直头, 组装式(现场接线), 屏蔽, 锁螺钉式/M12 Female straight connector,assembly(field),shield,screw
- P88 M12母弯头, 组装式(现场接线), 屏蔽, 锁螺钉式/M12 Female angled connector,assembly(field),shield,screw
- P89 M12公直头, 组装式(现场接线), 非屏蔽, 焊杯式/M12 Male straight connector,assembly(field),unshield,solder cup
- P90 M12公弯头, 组装式(现场接线), 非屏蔽, 焊杯式/M12 Male angled connector,assembly(field),unshield,solder cup
- P91 M12母直头, 组装式(现场接线), 非屏蔽, 焊杯式/M12 Female straight connector,assembly(field),unshield,solder cup
- P92 M12母弯头, 组装式(现场接线), 非屏蔽, 焊杯式/M12 Female angled connector,assembly(field),unshield,solder cup
- P93 M12公直头, 组装式(现场接线), 屏蔽, 焊杯式/M12 Male straight connector,assembly(field),shield,solder cup
- P94 M12公弯头, 组装式(现场接线), 屏蔽, 焊杯式/M12 Male angled connector,assembly(field),shield,solder cup
- P95 M12母直头, 组装式(现场接线), 屏蔽, 焊杯式/M12 Female straight connector,assembly(field),shield,solder cup
- P96 M12母弯头, 组装式(现场接线), 屏蔽, 焊杯式/M12 Female angled connector,assembly(field),shield,solder cup

灵活的布线

Flexible wiring

使用组装式连接器，可现场灵活地连接各种长度的电缆。Using the assembled connector, the cable of various lengths can be connected flexibly on site.



轻松插拔

Easy plug in and pull

采用预制电缆，在现场可轻松地连接传感器和执行器。With molded cables sensors and actuators can be easily connected in the field.



轻松集成至设备上

Easy integrated into the device

M12设备连接器采用模块化结构，轻松集成信号、数据和电源传输通道。The connector of M12 device adopts modular structure, which can easily integrate signal, data and power transmission.



快速传输数据 Transmission

日益复杂的自动化过程对数据传输量和传输速度的要求越来越高。通过速普的工业圆形连接器，可实现安全可靠的数据传输。速普也可提供适用于各种网络和现场总线系统的解决方案。

With the increasing complexity of automation process, the requirements of data transmission volume and transmission speed are higher and higher. The safe and reliable data transmission can be realized through the industrial circular connector of "SUPU". SUPU can also provide solutions for a variety of network and fieldbus systems.

可靠的信号传输 Reliable signal transmission

地博提供各种M8和M12信号传输产品和解决方案：从标准应用到高防护密封，再从预制电缆、组装式连接器、设备连接器及分配器，可灵活组合传感器和执行器布线所需的组件。

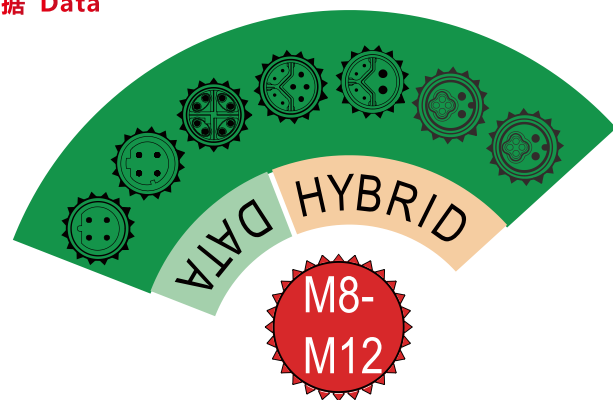
DIBO offers a variety of M8 and M12 signal transmission products and solutions: from standard application to high protection seal, from prefabricated cables, assembled connectors, equipment connectors to distributors, it can flexibly combine components required for sensor and actuator wiring.

紧凑型设计实现大功率传输 Compact design for high power transmission

设备连接技术不仅需要大功率传输,还必须结构紧凑,使用灵活。地博提供的创新型M12电源线缆可在极其有限的空间实现大功率传输。根据不同连接器型号，可向现场的马达和设备提供高达16A的电流或630V的电压。

Device connection technology not only needs high power transmission, but also has to be compact and flexible. The innovative M12 power cable provided by Supu can realize high power transmission in extremely limited space. Based on different models of connected machines, It can provide up to 16 A or 630 V for motors and equipment on site.

数据 Data



优势 Advantage

- 1.支持各种总线系统，应用范围广；
- 2.连接器坚固耐用，确保工业环境下的高可靠性；
- 3.数据传输速度高达10Gbps；
- 4.创新性混合布线可通过一个接口向设备传输数据和动力。

1. It supports various bus systems and has a wide range of applications;
2. The connector is firm and durable to ensure high reliability in industrial environment;
3. The data transmission speed is up to 10Gbps;
4. Innovative hybrid cabling can transmit data and power to equipment through one interface.

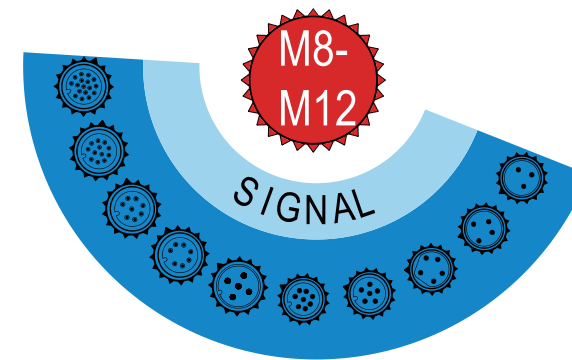
地博的X编码连接器可集成到基础设施、网络和终端设备上，提供面向未来的数据传输,可靠的360°全屏蔽设计，从而确保办公室到现场设备的网络通信顺畅。并可达到IP67的防护等级。

DIBO's x-code connector can be integrated into infrastructure, network and terminal equipment to provide future oriented data transmission, reliable 360° full shielding design, so as to ensure smooth network communication from office to field equipment. It can meet the waterproof requirements of Ip67.



10Gbps的传输速度 IP67防水 Data up to 10Gbps , IP67 waterproof

信号 Signal



优势 Advantage

- 1.M8和M12规格产品种类齐全，布线灵活；
- 2.连接器坚固耐用，确保工业环境下的高可靠性；
- 3.可使用组装式连接器实现个性化布线；
- 4.采用标准化连接器系统，易于安装；
- 5.高密度安装，最高可达17芯。

1. The products of M8 and M12 specifications are complete and flexible in wiring;
2. The connector is firm and durable to ensure high reliability in industrial environment;
3. Assembly connector can be used to realize personalized wiring;
4. Adopt standardized connector system, easy to install;
5. High density installation, up to 17 poles.

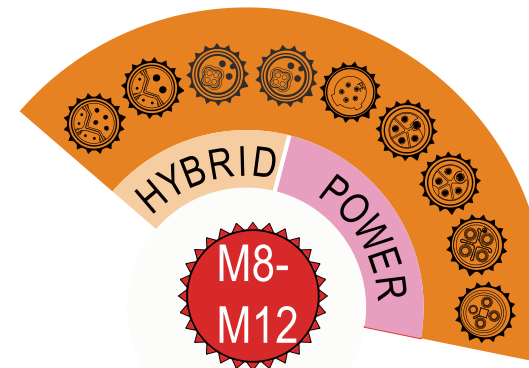
工业应用连接器要求外形紧凑，接线密度高。地博可提供12芯和17芯的紧凑型M12高密针信号连接器。标准化的A编码连接器可兼容其他厂家接口。

Industrial application connector requires compact shape and high connection density. DIBO can provide M12 high density signal connector with 12 and 17 poles.The standardized A-code connector can be compatible with other interfaces.



高密针芯安装
Installation of high density needle core

电源 Power



优势 Advantage

- 1.实现大功率传输，适用于最高16A和630V的交直流回路；
- 2.M12紧凑型设计，可节省安装空间；
- 3.带编码的针式设计，防止错插；
- 4.可选360°全屏蔽，提供可靠的EMC防护。

1. Realize high power transmission, suitable for AC and DC circuits of up to 16A and 630V;
2. M12 compact design can save installation space;
3. Pin design with coding to prevent wrong insertion;
4. 360° full shielding is optional to provide reliable EMC protection.

S编码的连接可用于交流应用，如连接三相马达的电源电缆，电流电压值达12A/630V。

T编码的连接可用于直流应用，如为分布式I/O模块或直流马达供电，电压为63V,最大电流可达16A。

S-coded connectors can be used for AC applications, such as power cables for three-phase motors, with current and voltage up to 12A/ 630V. T-coded connectors can be used for DC applications, such as supplying power to distributed I / O modules or DC motors, with a voltage of 63V and a maximum current of 16A.



交直流应用
AC application DC application

圆形连接器如何选型 How to select circular connector

地博可提供多种类型的圆形连接器，无论是成型式、组装式或者面板式连接器，均可达到IP67的防护等级。有多种接线方式，并且可选屏蔽连接器以达到360°全屏蔽要求。

DIBO can provide various type of circular connectors. All of molded, assembled and panel connector can reach the protection level of IP67 and shielded connectors are optional in order to achieve the requirements of 360°full shielding.

◆ 选型第一步：确定编码类型和产品电气参数

The first step of code selection : determine the electrical parameters of the product

根据您使用产品功能、芯数、电流及电压大小来确定产品规格。

According to your application of product function, number of cores, current and voltage to determine product specifications.

产品规格 Product specifications	M8					M12										
针芯配置 Pin assignment																
□□□□ Coding	A	A	B	A	A	A					B	D	X	Y	S	T
额定电流 Rated current	3A	3A	3A	1.5A	1.5A	4A	4A	2A	1.5A	4A	4A	0.5A	6A 0.5A	12A	12A	
额定电压 Rated voltage (AC/DC)	50V AC 60V DC	50V AC 60V DC	30V AC/DC	30V AC/DC	30V AC/DC	250V	60V	30V		60V	250V	50V	50V	630V	63V	
产品功能 Product function						传输信号 Transmission signal					数据 Data		电力 Power data		电力 Power	

◆ 选型第二步：确定产品类别

The second step of model selection: determine the product category

根据您使用环境、空间、是否屏蔽及现场组装等来确定产品的类别。

According to your application environment, space, shielding and on-site assembly to determine the product category.

面板式产品 Panel products

- ① 安装方式可选择：板前/板后/前后可调节型等
Installation mode can be selected: Front lock/Rear lock/Front and rear adjustable type, etc
- ② 尾部接线方式可选择：焊杯式/PCB板式/预接线式
Tail connection mode can be selected: Solder/PCB/Pre-assembled cable type



预铸式产品 Molded products

- ① 出线方式可选择：直头/弯头
Outlet mode can be selected: Straight/Angled
- ② 外接方式可选择：公/母
External connection mode can be selected: Male / Female
- ③ 线缆可选择：1.屏蔽/非屏蔽。 2. 线材外被材质：PVC/PUR。 3. 颜色：黑色/黄色/橙色等
Cable options: 1. Shielded / unshielded; 2. Jacket PVC / PUR; 3. Color: Black / Yellow / Orange, Etc.



现场组装式产品 Field assembled products

- ① 出线方式可选择：直头/弯头
Outlet mode can be selected: Straight/Angled
- ② 外接方式可选择：公/母
External connection mode can be selected: Male / Female
- ③ 外壳可选择：1. 塑胶外壳(非屏蔽) 2. 金属外壳(屏蔽)
Optional housing: 1. Plastic shell (unshielded); 2. Metal shell (shielded)



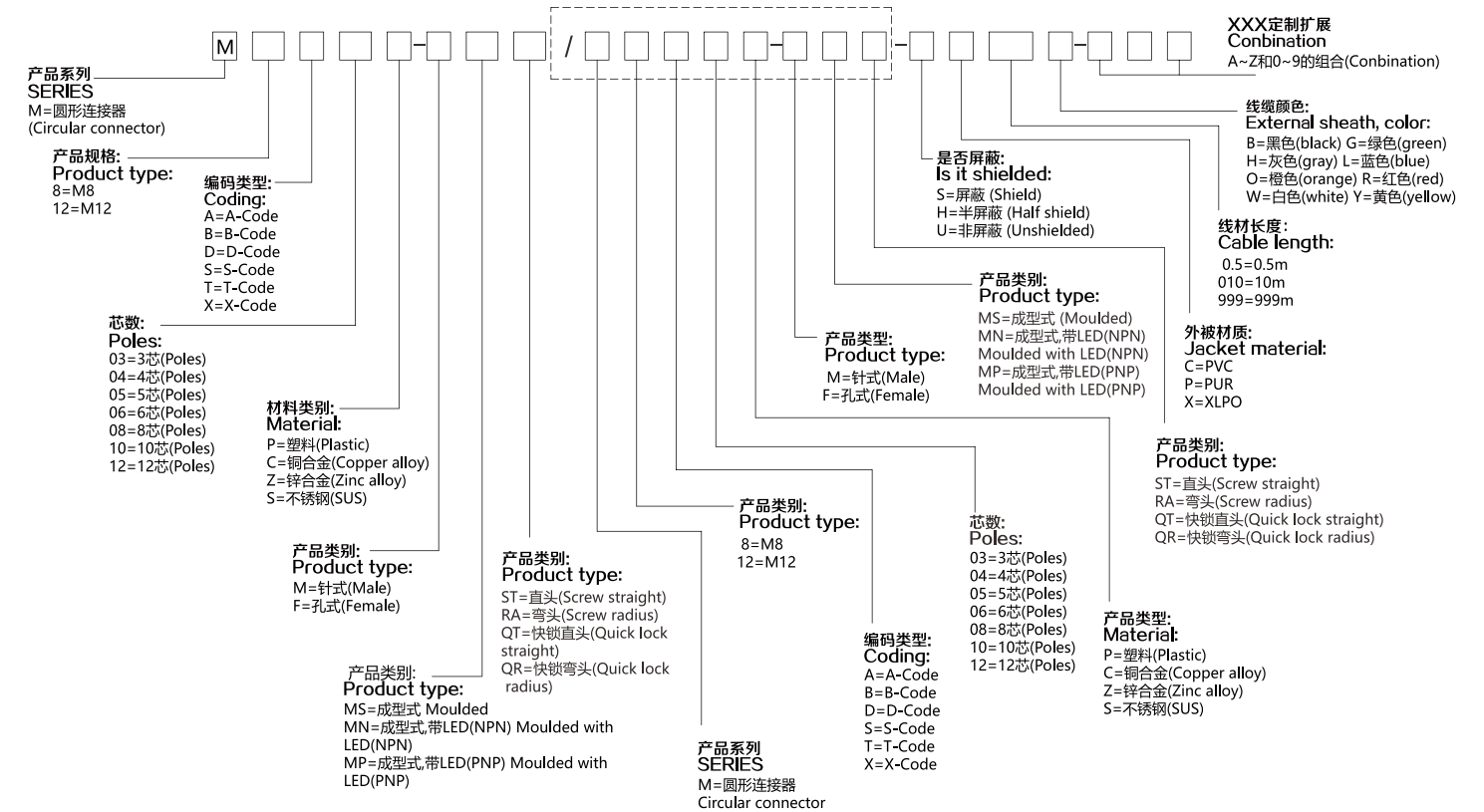
◆ 选型第三步：确定完整产品编号

The third step of model selection: determine the complete product number



M8 & M12圆形连接器预铸式产品编码规则

M8 & M12 circular connector moulded code rule



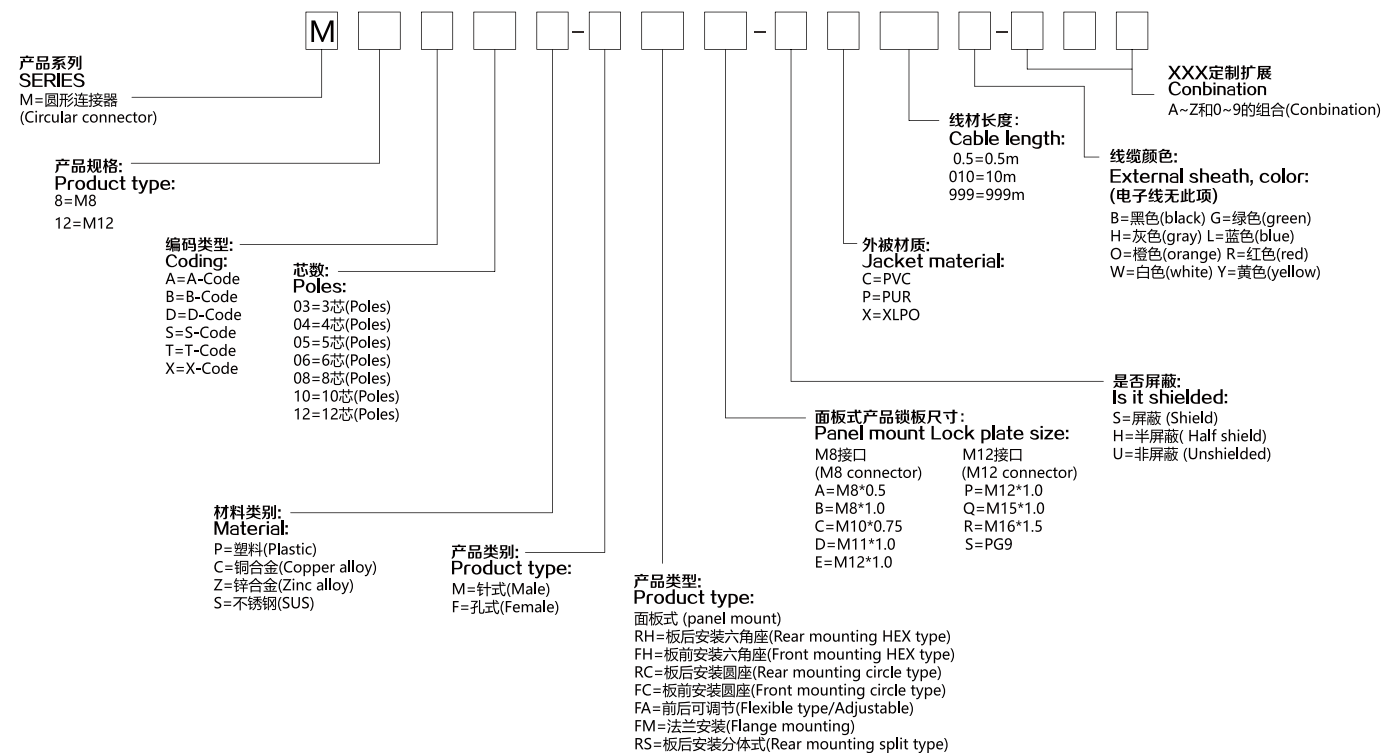
备注：虚线框内选项为双头产品，单头产品无需选择虚线框内编码

Notice: Within the dotted line stand for double-end, single-end with no need for choice within the dotted line code rule.



M8 & M12圆形连接器面板式带线产品编码规则

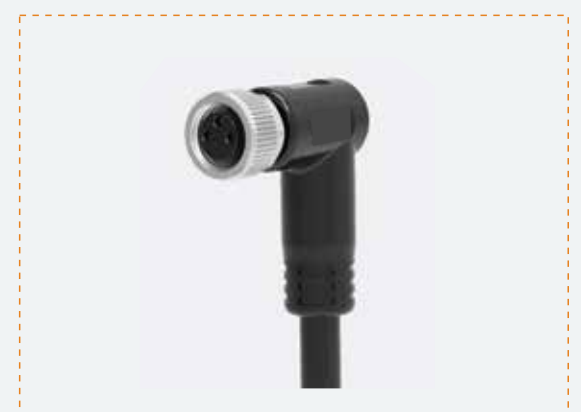
M8 & M12 circular connector panel wires code rule



M8系列连接器 & 线束 M8 series connector & Harness

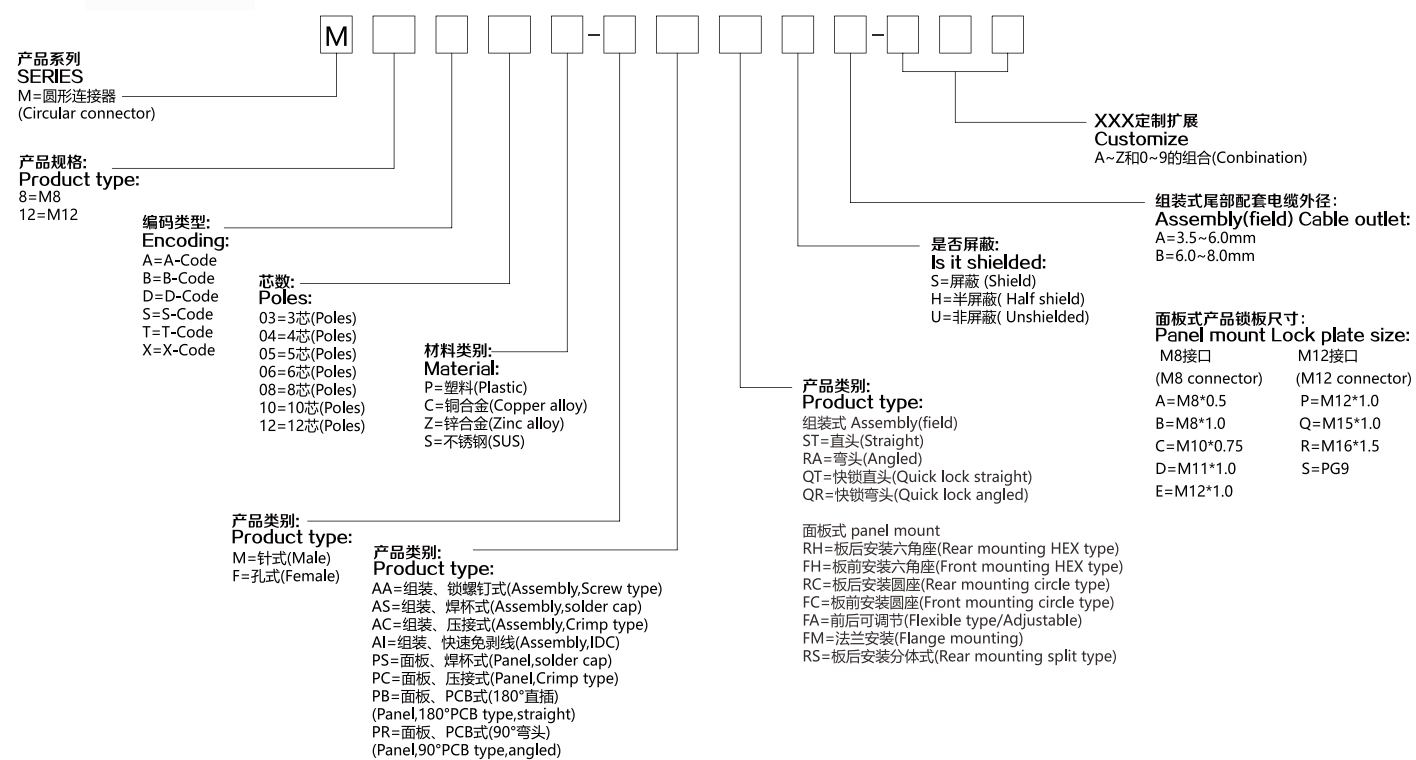
M8系列圆形连接器小巧的外形尺寸设计, 为小型或特殊工业用途的机械工程提供了实用、经济和灵活的解决方案, 并满足了在有限空间内迅速无误地连接要求。该系列有不同型号, 有注塑成型式、组装式、面板式、分支器、终端器等类型; M8圆形插头连接器, 即使在苛刻恶劣的环境下, 也能确保稳定的传输性能。

The compact size design of M8 series circular connector provides a practical, economical and flexible solution for mechanical engineering of small or special industrial purposes, and meets the requirements of fast and error free connection in limited space. This series has different models, including molding type, assembly type, panel type, terminal device, etc.; M8 connector can ensure stable transmission performance even in harsh environment.



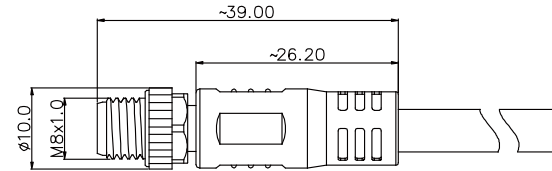
M8 & M12圆形连接器面板式和组装式编码规则

M8 & M12 circular connector panel and assembly(field) code rule



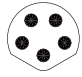




- ◆ 执行标准 IEC 61076-2-104
- ◆ 小巧外形尺寸设计, 占用更小空间
- ◆ 密封性强, 满足IP67 防护等级
- ◆ 有3、4、5、6、8 芯供选择
- ◆ 可注塑成型LED指示灯, 诊断线路连接
- ◆ 特殊防震螺纹锁紧结构设计
- ◆ 螺纹锁紧式、快锁式、快速插拔式等锁紧方式
- ◆ PUR/PVC线材外被, 线材长度及线端客制化处理

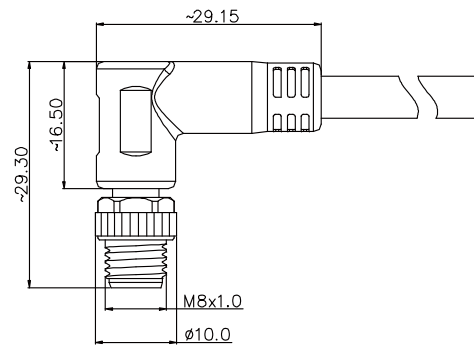
- ◆ Standard IEC 61076-2-104
- ◆ Small size design, occupying less space
- ◆ Strong sealing, meet IP67 protection level
- ◆ There are 3, 4, 5, 6, 8 cores to choose from
- ◆ Injection molding LED indicator, diagnosis line connection
- ◆ Design of special shockproof thread locking structure
- ◆ Thread locking type, fast locking type, fast plugging type and other locking methods
- ◆ Customization of cable jacket, length, free end and on on.



M8公直头, 预铸电缆, 非屏蔽
M8 Male straight cable connector, moulded, unshield

技术参数 Technical Parameter				
芯数 Number of positions	3芯 (pos)	4芯 (pos)	5芯 (pos)	
	A-code	A-code	B-code	
				
参照标准 Standards	IEC61076-2-104			
污染等级 Degree of pollution	3			
防护等级 Degree of protection	IP67			
连接方式 Connection method	预铸成型式(Moulded)			
是否屏蔽 Shielding	否(No)			
机械寿命 Mechanical life	100 (mate cycles)			
电气参数 Electrical parameter				
绝缘电阻 Insulation resistance	≥100 MΩ			
接触阻抗 Contact resistance	<10 mΩ			
额定电压 Rated voltage	50V AC	50V AC	30V AC	
	60V DC	60V DC	30V DC	
额定电流 Rated current	3A			
材料参数 Materials parameter				
插针/表面材料 Contact/surface material	CuZn/Ni/Au			
插芯材料 Contact carrier material	TPU			
螺丝/螺母材料 Screw/nut material	Zinc			
密封材料 Sealing material	NBR			
工作温度 Ambient temperature operation				
-40°C ~ 85°C				
描述 Description	订货号 Order number			
PVC外被 PVC Jacket	1m	M8A03Z-MMSST-UC001B	M8A04Z-MMSST-UC001B	M8B05Z-MMSST-UC001B
	3m	M8A03Z-MMSST-UC003B	M8A04Z-MMSST-UC003B	M8B05Z-MMSST-UC003B
	5m	M8A03Z-MMSST-UC005B	M8A04Z-MMSST-UC005B	M8B05Z-MMSST-UC005B
PUR外被 PUR Jacket	1m	M8A03Z-MMSST-UP001B	M8A04Z-MMSST-UP001B	M8B05Z-MMSST-UP001B
	3m	M8A03Z-MMSST-UP003B	M8A04Z-MMSST-UP003B	M8B05Z-MMSST-UP003B
	5m	M8A03Z-MMSST-UP005B	M8A04Z-MMSST-UP005B	M8B05Z-MMSST-UP005B

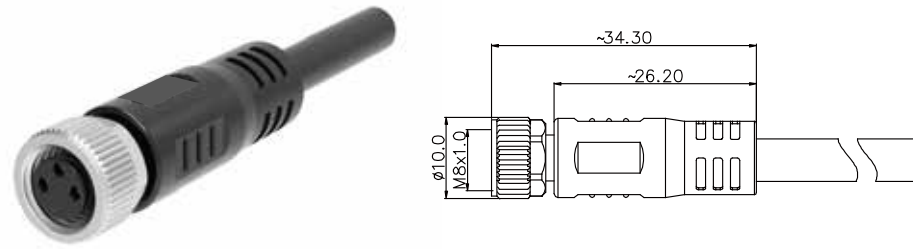
技术参数 Technical Parameter			
芯数 Number of positions	6芯 (pos)	8芯 (pos)	
	A-code	A-code	
			
参照标准 Standards	IEC61076-2-104		
污染等级 Degree of pollution	3		
防护等级 Degree of protection	IP67		
连接方式 Connection method	预铸成型式(Moulded)		
是否屏蔽 Shielding	否(No)		
机械寿命 Mechanical life	100 (mate cycles)		
电气参数 Electrical parameter			
绝缘电阻 Insulation resistance	≥100 MΩ		
接触阻抗 Contact resistance	<10 mΩ		
额定电压 Rated voltage	30V AC		30V DC
	30V AC		30V DC
额定电流 Rated current	1.5A		
材料参数 Materials parameter			
插针/表面材料 Contact/surface material	CuZn/Ni/Au		
插芯材料 Contact carrier material	TPU		
螺丝/螺母材料 Screw/nut material	Zinc		
密封材料 Sealing material	NBR		
工作温度 Ambient temperature operation			
-40°C ~ 85°C			
描述 Description	订货号 Order number		
PVC外被 PVC Jacket	1m	M8A06Z-MMSST-UC001B	M8A08Z-MMSST-UC001B
	3m	M8A06Z-MMSST-UC003B	M8A08Z-MMSST-UC003B
	5m	M8A06Z-MMSST-UC005B	M8A08Z-MMSST-UC005B
PUR外被 PUR Jacket	1m	M8A06Z-MMSST-UP001B	M8A08Z-MMSST-UP001B
	3m	M8A06Z-MMSST-UP003B	M8A08Z-MMSST-UP003B
	5m	M8A06Z-MMSST-UP005B	M8A08Z-MMSST-UP005B



M8公弯头, 预铸电缆, 非屏蔽
M8 Male angled cable connector, moulded, unshield



技术参数 Technical Parameter			
芯数 Number of positions	3芯 (pos)	4芯 (pos)	5芯 (pos)
	A-code	A-code	B-code
参照标准 Standards	IEC61076-2-104		
污染等级 Degree of pollution	3		
防护等级 Degree of protection	IP67		
连接方式 Connection method	预铸成型式(Moulded)		
是否屏蔽 Shielding	否(No)		
机械寿命 Mechanical life	100 (mate cycles)		
电气参数 Electrical parameter			
绝缘电阻 Insulation resistance	≥100 MΩ		
接触阻抗 Contact resistance	<10 mΩ		
额定电压 Rated voltage	50V AC	50V AC	30V AC
	60V DC	60V DC	30V DC
额定电流 Rated current	3A		
材料参数 Materials parameter			
插针/表面材料 Contact/surface material	CuZn/Ni/Au		
插芯材料 Contact carrier material	TPU		
螺丝/螺母材料 Screw/nut material	Zinc		
密封材料 Sealing material	NBR		
工作温度 Ambient temperature operation			
-40°C ~ 85°C			
描述 Description		订货号 Order number	
PVC外被 PVC Jacket	1m	M8A03Z-MMSRA-UC001B	M8A04Z-MMSRA-UC001B
	3m	M8A03Z-MMSRA-UC003B	M8A04Z-MMSRA-UC003B
	5m	M8A03Z-MMSRA-UC005B	M8A04Z-MMSRA-UC005B
PUR外被 PUR Jacket	1m	M8A03Z-MMSRA-UP001B	M8A04Z-MMSRA-UP001B
	3m	M8A03Z-MMSRA-UP003B	M8A04Z-MMSRA-UP003B
	5m	M8A03Z-MMSRA-UP005B	M8A04Z-MMSRA-UP005B

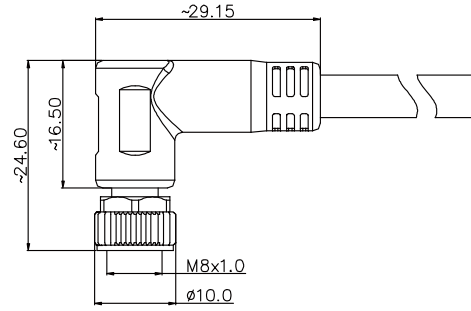
技术参数 Technical Parameter			
芯数 Number of positions	6芯 (pos)	8芯 (pos)	
	A-code	A-code	
参照标准 Standards	IEC61076-2-104		
污染等级 Degree of pollution	3		
防护等级 Degree of protection	IP67		
连接方式 Connection method	预铸成型式(Moulded)		
是否屏蔽 Shielding	否(No)		
机械寿命 Mechanical life	100 (mate cycles)		
电气参数 Electrical parameter			
绝缘电阻 Insulation resistance	≥100 MΩ		
接触阻抗 Contact resistance	<10 mΩ		
额定电压 Rated voltage	30V AC		30V DC
	30V AC		30V DC
额定电流 Rated current	1.5A		
材料参数 Materials parameter			
插针/表面材料 Contact/surface material	CuZn/Ni/Au		
插芯材料 Contact carrier material	TPU		
螺丝/螺母材料 Screw/nut material	Zinc		
密封材料 Sealing material	NBR		
工作温度 Ambient temperature operation			
-40°C ~ 85°C			
描述 Description		订货号 Order number	
PVC外被 PVC Jacket	1m	M8A06Z-MMSRA-UC001B	M8A08Z-MMSRA-UC001B
	3m	M8A06Z-MMSRA-UC003B	M8A08Z-MMSRA-UC003B
	5m	M8A06Z-MMSRA-UC005B	M8A08Z-MMSRA-UC005B
PUR外被 PUR Jacket	1m	M8A06Z-MMSRA-UP001B	M8A08Z-MMSRA-UP001B
	3m	M8A06Z-MMSRA-UP003B	M8A08Z-MMSRA-UP003B
	5m	M8A06Z-MMSRA-UP005B	M8A08Z-MMSRA-UP005B



M8母直头, 预铸电缆, 非屏蔽
M8 Female straight cable connector, moulded, unshield



		技术参数 Technical Parameter		
芯数 Number of positions	3芯 (pos)	4芯 (pos)	5芯 (pos)	
	A-code	A-code	B-code	
				
参照标准 Standards	IEC61076-2-104			
污染等级 Degree of pollution	3			
防护等级 Degree of protection	IP67			
连接方式 Connection method	预铸成型式(Moulded)			
是否屏蔽 Shielding	否(No)			
机械寿命 Mechanical life	100 (mate cycles)			
		电气参数 Electrical parameter		
绝缘电阻 Insulation resistance	≥100 MΩ			
接触阻抗 Contact resistance	<10 mΩ			
额定电压 Rated voltage	50V AC	50V AC	30V AC	
	60V DC	60V DC	30V DC	
额定电流 Rated current	3A			
		材料参数 Materials parameter		
插针/表面材料 Contact/surface material	CuSn/Ni/Au			
插芯材料 Contact carrier material	TPU			
螺丝/螺母材料 Screw/nut material	Zinc			
密封材料 Sealing material	NBR			
		工作温度 Ambient temperature operation		
		-40°C ~ 85°C		
描述 Description		订货号 Order number		
PVC外被 PVC Jacket	1m	M8A03Z-FMSST-UC001B	M8A04Z-FMSST-UC001B	M8B05Z-FMSST-UC001B
	3m	M8A03Z-FMSST-UC003B	M8A04Z-FMSST-UC003B	M8B05Z-FMSST-UC003B
	5m	M8A03Z-FMSST-UC005B	M8A04Z-FMSST-UC005B	M8B05Z-FMSST-UC005B
PUR外被 PUR Jacket	1m	M8A03Z-FMSST-UP001B	M8A04Z-FMSST-UP001B	M8B05Z-FMSST-UP001B
	3m	M8A03Z-FMSST-UP003B	M8A04Z-FMSST-UP003B	M8B05Z-FMSST-UP003B
	5m	M8A03Z-FMSST-UP005B	M8A04Z-FMSST-UP005B	M8B05Z-FMSST-UP005B

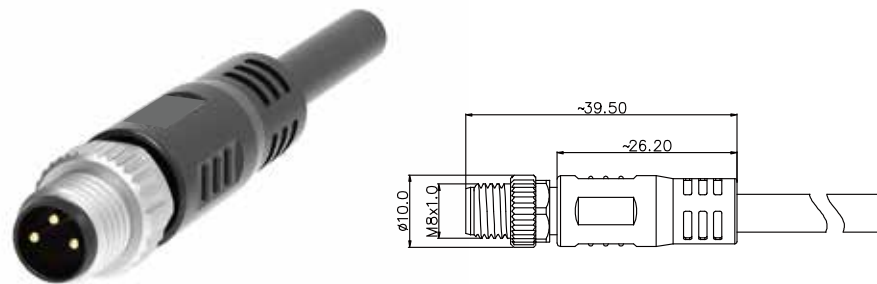
		技术参数 Technical Parameter	
芯数 Number of positions	6芯 (pos)	8芯 (pos)	
	A-code	A-code	
			
参照标准 Standards	IEC61076-2-104		
污染等级 Degree of pollution	3		
防护等级 Degree of protection	IP67		
连接方式 Connection method	预铸成型式(Moulded)		
是否屏蔽 Shielding	否(No)		
机械寿命 Mechanical life	100 (mate cycles)		
		电气参数 Electrical parameter	
绝缘电阻 Insulation resistance	≥100 MΩ		
接触阻抗 Contact resistance	<10 mΩ		
额定电压 Rated voltage	30V AC	30V DC	
	30V DC		
额定电流 Rated current	1.5A		
		材料参数 Materials parameter	
插针/表面材料 Contact/surface material	CuSn/Ni/Au		
插芯材料 Contact carrier material	TPU		
螺丝/螺母材料 Screw/nut material	Zinc		
密封材料 Sealing material	NBR		
		工作温度 Ambient temperature operation	
		-40°C ~ 85°C	
描述 Description		订货号 Order number	
PVC外被 PVC Jacket	1m	M8A06Z-FMSST-UC001B	M8A08Z-FMSST-UC001B
	3m	M8A06Z-FMSST-UC003B	M8A08Z-FMSST-UC003B
	5m	M8A06Z-FMSST-UC005B	M8A08Z-FMSST-UC005B
PUR外被 PUR Jacket	1m	M8A06Z-FMSST-UP001B	M8A08Z-FMSST-UP001B
	3m	M8A06Z-FMSST-UP003B	M8A08Z-FMSST-UP003B
	5m	M8A06Z-FMSST-UP005B	M8A08Z-FMSST-UP005B



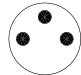

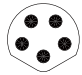
M8母弯头, 预铸电缆, 非屏蔽
M8 Female angled cable connector, moulded, unshield



		技术参数 Technical Parameter		
芯数 Number of positions	3芯 (pos)	4芯 (pos)	5芯 (pos)	
	A-code	A-code	B-code	
				
参照标准 Standards	IEC61076-2-104			
污染等级 Degree of pollution	3			
防护等级 Degree of protection	IP67			
连接方式 Connection method	预铸成型式(Moulded)			
是否屏蔽 Shielding	否(No)			
机械寿命 Mechanical life	100 (mate cycles)			
		电气参数 Electrical parameter		
绝缘电阻 Insulation resistance	$\geq 100 \text{ M}\Omega$			
接触阻抗 Contact resistance	$< 10 \text{ m}\Omega$			
额定电压 Rated voltage	50V AC	50V AC	30V AC	
	60V DC	60V DC	30V DC	
额定电流 Rated current	3A			
		材料参数 Materials parameter		
插针/表面材料 Contact/surface material	CuSn/Ni/Au			
插芯材料 Contact carrier material	TPU			
螺丝/螺母材料 Screw/nut material	Zinc			
密封材料 Sealing material	NBR			
		工作温度 Ambient temperature operation		
		$-40^{\circ}\text{C} \sim 85^{\circ}\text{C}$		
描述 Description		订货号 Order number		
PVC外被 PVC Jacket	1m	M8A03Z-FMSRA-UC001B	M8A04Z-FMSRA-UC001B	M8B05Z-FMSRA-UC001B
	3m	M8A03Z-FMSRA-UC003B	M8A04Z-FMSRA-UC003B	M8B05Z-FMSRA-UC003B
	5m	M8A03Z-FMSRA-UC005B	M8A04Z-FMSRA-UC005B	M8B05Z-FMSRA-UC005B
PUR外被 PUR Jacket	1m	M8A03Z-FMSRA-UP001B	M8A04Z-FMSRA-UP001B	M8B05Z-FMSRA-UP001B
	3m	M8A03Z-FMSRA-UP003B	M8A04Z-FMSRA-UP003B	M8B05Z-FMSRA-UP003B
	5m	M8A03Z-FMSRA-UP005B	M8A04Z-FMSRA-UP005B	M8B05Z-FMSRA-UP005B

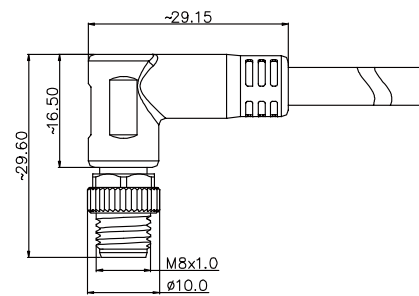
		技术参数 Technical Parameter	
芯数 Number of positions	6芯 (pos)	8芯 (pos)	
	A-code	A-code	
			
参照标准 Standards	IEC61076-2-104		
污染等级 Degree of pollution	3		
防护等级 Degree of protection	IP67		
连接方式 Connection method	预铸成型式(Moulded)		
是否屏蔽 Shielding	否(No)		
机械寿命 Mechanical life	100 (mate cycles)		
		电气参数 Electrical parameter	
绝缘电阻 Insulation resistance	$\geq 100 \text{ M}\Omega$		
接触阻抗 Contact resistance	$< 10 \text{ m}\Omega$		
额定电压 Rated voltage	30V AC	30V DC	
	30V DC	30V DC	
额定电流 Rated current	1.5A		
		材料参数 Materials parameter	
插针/表面材料 Contact/surface material	CuSn/Ni/Au		
插芯材料 Contact carrier material	TPU		
螺丝/螺母材料 Screw/nut material	Zinc		
密封材料 Sealing material	NBR		
		工作温度 Ambient temperature operation	
		$-40^{\circ}\text{C} \sim 85^{\circ}\text{C}$	
描述 Description		订货号 Order number	
PVC外被 PVC Jacket	1m	M8A06Z-FMSRA-UC001B	M8A08Z-FMSRA-UC001B
	3m	M8A06Z-FMSRA-UC003B	M8A08Z-FMSRA-UC003B
	5m	M8A06Z-FMSRA-UC005B	M8A08Z-FMSRA-UC005B
PUR外被 PUR Jacket	1m	M8A06Z-FMSRA-UP001B	M8A08Z-FMSRA-UP001B
	3m	M8A06Z-FMSRA-UP003B	M8A08Z-FMSRA-UP003B
	5m	M8A06Z-FMSRA-UP005B	M8A08Z-FMSRA-UP005B



M8公直头，预铸电缆，屏蔽
M8 Male straight cable connector, moulded, shield

技术参数 Technical Parameter			
芯数 Number of positions	3芯 (pos)	4芯 (pos)	5芯 (pos)
	A-code	A-code	B-code
			
参照标准 Standards	IEC61076-2-104		
污染等级 Degree of pollution	3		
防护等级 Degree of protection	IP67		
连接方式 Connection method	预铸成型式(Moulded)		
是否屏蔽 Shielding	是(Yes)		
机械寿命 Mechanical life	100 (mate cycles)		
电气参数 Electrical parameter			
绝缘电阻 Insulation resistance	≥100 MΩ		
接触阻抗 Contact resistance	<10 mΩ		
额定电压 Rated voltage	50V AC	50V AC	30V AC
	60V DC	60V DC	30V DC
额定电流 Rated current	3A		
材料参数 Materials parameter			
插针/表面材料 Contact/surface material	CuZn/Ni/Au		
插芯材料 Contact carrier material	TPU		
螺丝/螺母材料 Screw/nut material	Zinc		
密封材料 Sealing material	NBR		
工作温度 Ambient temperature operation			
-40°C ~ 85°C			
描述 Description		订货号 Order number	
PVC外被 PVC Jacket	1m	M8A03Z-MMSST-SC001B	M8A04Z-MMSST-SC001B
	3m	M8A03Z-MMSST-SC003B	M8A04Z-MMSST-SC003B
	5m	M8A03Z-MMSST-SC005B	M8A04Z-MMSST-SC005B
PUR外被 PUR Jacket	1m	M8A03Z-MMSST-SP001B	M8A04Z-MMSST-SP001B
	3m	M8A03Z-MMSST-SP003B	M8A04Z-MMSST-SP003B
	5m	M8A03Z-MMSST-SP005B	M8A04Z-MMSST-SP005B

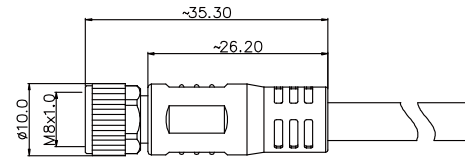
技术参数 Technical Parameter			
芯数 Number of positions	6芯 (pos)	8芯 (pos)	
	A-code	A-code	
			
参照标准 Standards	IEC61076-2-104		
污染等级 Degree of pollution	3		
防护等级 Degree of protection	IP67		
连接方式 Connection method	预铸成型式(Moulded)		
是否屏蔽 Shielding	是(Yes)		
机械寿命 Mechanical life	100 (mate cycles)		
电气参数 Electrical parameter			
绝缘电阻 Insulation resistance	≥100 MΩ		
接触阻抗 Contact resistance	<10 mΩ		
额定电压 Rated voltage	30V AC		
	30V DC		
额定电流 Rated current	1.5A		
材料参数 Materials parameter			
插针/表面材料 Contact/surface material	CuZn/Ni/Au		
插芯材料 Contact carrier material	TPU		
螺丝/螺母材料 Screw/nut material	Zinc		
密封材料 Sealing material	NBR		
工作温度 Ambient temperature operation			
-40°C ~ 85°C			
描述 Description		订货号 Order number	
PVC外被 PVC Jacket	1m	M8A06Z-MMSST-SC001B	M8A08Z-MMSST-SC001B
	3m	M8A06Z-MMSST-SC003B	M8A08Z-MMSST-SC003B
	5m	M8A06Z-MMSST-SC005B	M8A08Z-MMSST-SC005B
PUR外被 PUR Jacket	1m	M8A06Z-MMSST-SP001B	M8A08Z-MMSST-SP001B
	3m	M8A06Z-MMSST-SP003B	M8A08Z-MMSST-SP003B
	5m	M8A06Z-MMSST-SP005B	M8A08Z-MMSST-SP005B



M8公弯头, 预铸电缆, 屏蔽
M8 Male angled cable connector, moulded, shield



技术参数 Technical Parameter			
芯数 Number of positions	3芯 (pos)	4芯 (pos)	5芯 (pos)
	A-code	A-code	B-code
参照标准 Standards	IEC61076-2-104		
污染等级 Degree of pollution	3		
防护等级 Degree of protection	IP67		
连接方式 Connection method	预铸成型式(Moulded)		
是否屏蔽 Shielding	是(Yes)		
机械寿命 Mechanical life	100 (mate cycles)		
电气参数 Electrical parameter			
绝缘电阻 Insulation resistance	$\geq 100 \text{ M}\Omega$		
接触阻抗 Contact resistance	$< 10 \text{ m}\Omega$		
额定电压 Rated voltage	50V AC	50V AC	30V AC
	60V DC	60V DC	30V DC
额定电流 Rated current	3A		
材料参数 Materials parameter			
插针/表面材料 Contact/surface material	CuZn/Ni/Au		
插芯材料 Contact carrier material	TPU		
螺丝/螺母材料 Screw/nut material	Zinc		
密封材料 Sealing material	NBR		
工作温度 Ambient temperature operation			
-40°C ~ 85°C			
描述 Description		订货号 Order number	
PVC外被 PVC Jacket	1m	M8A03Z-MMSRA-SC001B	M8A04Z-MMSRA-SC001B
	3m	M8A03Z-MMSRA-SC003B	M8A04Z-MMSRA-SC003B
	5m	M8A03Z-MMSRA-SC005B	M8A04Z-MMSRA-SC005B
PUR外被 PUR Jacket	1m	M8A03Z-MMSRA-SP001B	M8A04Z-MMSRA-SP001B
	3m	M8A03Z-MMSRA-SP003B	M8A04Z-MMSRA-SP003B
	5m	M8A03Z-MMSRA-SP005B	M8A04Z-MMSRA-SP005B

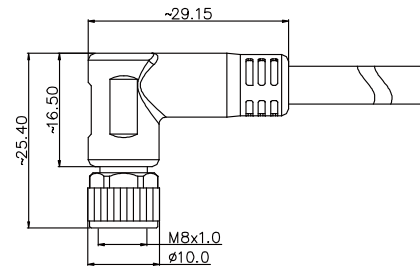
技术参数 Technical Parameter			
芯数 Number of positions	6芯 (pos)	8芯 (pos)	
	A-code	A-code	
参照标准 Standards	IEC61076-2-104		
污染等级 Degree of pollution	3		
防护等级 Degree of protection	IP67		
连接方式 Connection method	预铸成型式(Moulded)		
是否屏蔽 Shielding	是(Yes)		
机械寿命 Mechanical life	100 (mate cycles)		
电气参数 Electrical parameter			
绝缘电阻 Insulation resistance	$\geq 100 \text{ M}\Omega$		
接触阻抗 Contact resistance	$< 10 \text{ m}\Omega$		
额定电压 Rated voltage	30V AC		
	30V DC		
额定电流 Rated current	1.5A		
材料参数 Materials parameter			
插针/表面材料 Contact/surface material	CuZn/Ni/Au		
插芯材料 Contact carrier material	TPU		
螺丝/螺母材料 Screw/nut material	Zinc		
密封材料 Sealing material	NBR		
工作温度 Ambient temperature operation			
-40°C ~ 85°C			
描述 Description		订货号 Order number	
PVC外被 PVC Jacket	1m	M8A06Z-MMSRA-SC001B	M8A08Z-MMSRA-SC001B
	3m	M8A06Z-MMSRA-SC003B	M8A08Z-MMSRA-SC003B
	5m	M8A06Z-MMSRA-SC005B	M8A08Z-MMSRA-SC005B
PUR外被 PUR Jacket	1m	M8A06Z-MMSRA-SP001B	M8A08Z-MMSRA-SP001B
	3m	M8A06Z-MMSRA-SP003B	M8A08Z-MMSRA-SP003B
	5m	M8A06Z-MMSRA-SP005B	M8A08Z-MMSRA-SP005B



M8母直头, 预铸电缆, 屏蔽
M8 Female straight cable connector, moulded, shield

技术参数 Technical Parameter			
芯数 Number of positions	3芯 (pos)	4芯 (pos)	5芯 (pos)
	A-code	A-code	B-code
			
参照标准 Standards	IEC61076-2-104		
污染等级 Degree of pollution	3		
防护等级 Degree of protection	IP67		
连接方式 Connection method	预铸成型式(Moulded)		
是否屏蔽 Shielding	是(Yes)		
机械寿命 Mechanical life	100 (mate cycles)		
电气参数 Electrical parameter			
绝缘电阻 Insulation resistance	≥100 MΩ		
接触阻抗 Contact resistance	<10 mΩ		
额定电压 Rated voltage	50V AC	50V AC	30V AC
	60V DC	60V DC	30V DC
额定电流 Rated current	3A		
材料参数 Materials parameter			
插针/表面材料 Contact/surface material	CuSn/Ni/Au		
插芯材料 Contact carrier material	TPU		
螺丝/螺母材料 Screw/nut material	Zinc		
密封材料 Sealing material	NBR		
工作温度 Ambient temperature operation			
-40°C ~ 85°C			
描述 Description		订货号 Order number	
PVC外被 PVC Jacket	1m	M8A03Z-FMSST-SC001B	M8A04Z-FMSST-SC001B
	3m	M8A03Z-FMSST-SC003B	M8A04Z-FMSST-SC003B
	5m	M8A03Z-FMSST-SC005B	M8A04Z-FMSST-SC005B
PUR外被 PUR Jacket	1m	M8A03Z-FMSST-SP001B	M8A04Z-FMSST-SP001B
	3m	M8A03Z-FMSST-SP003B	M8A04Z-FMSST-SP003B
	5m	M8A03Z-FMSST-SP005B	M8A04Z-FMSST-SP005B

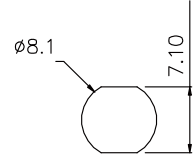
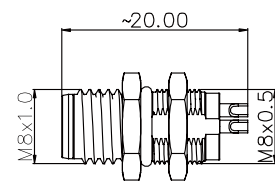
技术参数 Technical Parameter			
芯数 Number of positions	6芯 (pos)	8芯 (pos)	
	A-code	A-code	
			
参照标准 Standards	IEC61076-2-104		
污染等级 Degree of pollution	3		
防护等级 Degree of protection	IP67		
连接方式 Connection method	预铸成型式(Moulded)		
是否屏蔽 Shielding	是(Yes)		
机械寿命 Mechanical life	100 (mate cycles)		
电气参数 Electrical parameter			
绝缘电阻 Insulation resistance	≥100 MΩ		
接触阻抗 Contact resistance	<10 mΩ		
额定电压 Rated voltage	30V AC		30V DC
	30V AC		30V DC
额定电流 Rated current	1.5A		
材料参数 Materials parameter			
插针/表面材料 Contact/surface material	CuSn/Ni/Au		
插芯材料 Contact carrier material	TPU		
螺丝/螺母材料 Screw/nut material	Zinc		
密封材料 Sealing material	NBR		
工作温度 Ambient temperature operation			
-40°C ~ 85°C			
描述 Description		订货号 Order number	
PVC外被 PVC Jacket	1m	M8A06Z-FMSST-SC001B	M8A08Z-FMSST-SC001B
	3m	M8A06Z-FMSST-SC003B	M8A08Z-FMSST-SC003B
	5m	M8A06Z-FMSST-SC005B	M8A08Z-FMSST-SC005B
PUR外被 PUR Jacket	1m	M8A06Z-FMSST-SP001B	M8A08Z-FMSST-SP001B
	3m	M8A06Z-FMSST-SP003B	M8A08Z-FMSST-SP003B
	5m	M8A06Z-FMSST-SP005B	M8A08Z-FMSST-SP005B



M8母弯头, 预铸电缆, 屏蔽
M8 Female angled cable connector, moulded, shield

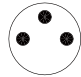

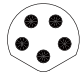
		技术参数 Technical Parameter		
芯数 Number of positions	3芯 (pos)	4芯 (pos)	5芯 (pos)	
	A-code	A-code	B-code	
参照标准 Standards	IEC61076-2-104			
污染等级 Degree of pollution	3			
防护等级 Degree of protection	IP67			
连接方式 Connection method	预铸成型式(Moulded)			
是否屏蔽 Shielding	是(Yes)			
机械寿命 Mechanical life	100 (mate cycles)			
		电气参数 Electrical parameter		
绝缘电阻 Insulation resistance	≥100 MΩ			
接触阻抗 Contact resistance	<10 mΩ			
额定电压 Rated voltage	50V AC	50V AC	30V AC	
	60V DC	60V DC	30V DC	
额定电流 Rated current	3A			
		材料参数 Materials parameter		
插针/表面材料 Contact/surface material	CuSn/Ni/Au			
插芯材料 Contact carrier material	TPU			
螺丝/螺母材料 Screw/nut material	Zinc			
密封材料 Sealing material	NBR			
		工作温度 Ambient temperature operation		
		-40°C ~ 85°C		
描述 Description		订货号 Order number		
PVC外被 PVC Jacket	1m	M8A03Z-FMSRA-SC001B	M8A04Z-FMSRA-SC001B	M8B05Z-FMSRA-SC001B
	3m	M8A03Z-FMSRA-SC003B	M8A04Z-FMSRA-SC003B	M8B05Z-FMSRA-SC003B
	5m	M8A03Z-FMSRA-SC005B	M8A04Z-FMSRA-SC005B	M8B05Z-FMSRA-SC005B
PUR外被 PUR Jacket	1m	M8A03Z-FMSRA-SP001B	M8A04Z-FMSRA-SP001B	M8B05Z-FMSRA-SP001B
	3m	M8A03Z-FMSRA-SP003B	M8A04Z-FMSRA-SP003B	M8B05Z-FMSRA-SP003B
	5m	M8A03Z-FMSRA-SP005B	M8A04Z-FMSRA-SP005B	M8B05Z-FMSRA-SP005B


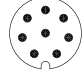
		技术参数 Technical Parameter	
芯数 Number of positions	6芯 (pos)	8芯 (pos)	
	A-code	A-code	
参照标准 Standards	IEC61076-2-104		
污染等级 Degree of pollution	3		
防护等级 Degree of protection	IP67		
连接方式 Connection method	预铸成型式(Moulded)		
是否屏蔽 Shielding	是(Yes)		
机械寿命 Mechanical life	100 (mate cycles)		
		电气参数 Electrical parameter	
绝缘电阻 Insulation resistance	≥100 MΩ		
接触阻抗 Contact resistance	<10 mΩ		
额定电压 Rated voltage	30V AC	30V DC	
	30V DC		
额定电流 Rated current	1.5A		
		材料参数 Materials parameter	
插针/表面材料 Contact/surface material	CuSn/Ni/Au		
插芯材料 Contact carrier material	TPU		
螺丝/螺母材料 Screw/nut material	Zinc		
密封材料 Sealing material	NBR		
		工作温度 Ambient temperature operation	
		-40°C ~ 85°C	
描述 Description		订货号 Order number	
PVC外被 PVC Jacket	1m	M8A06Z-FMSRA-SC001B	M8A08Z-FMSRA-SC001B
	3m	M8A06Z-FMSRA-SC003B	M8A08Z-FMSRA-SC003B
	5m	M8A06Z-FMSRA-SC005B	M8A08Z-FMSRA-SC005B
PUR外被 PUR Jacket	1m	M8A06Z-FMSRA-SP001B	M8A08Z-FMSRA-SP001B
	3m	M8A06Z-FMSRA-SP003B	M8A08Z-FMSRA-SP003B
	5m	M8A06Z-FMSRA-SP005B	M8A08Z-FMSRA-SP005B

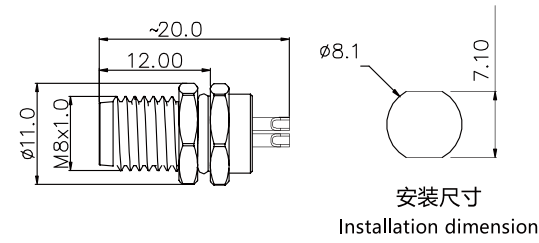


安装尺寸
Installation dimension

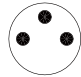

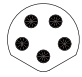
M8公头,面板式连接器,板前安装(锁板螺母M8*0.5)焊杯式
M8 Male panel mount connector, front mounting (panel nut M8*0.5) solder cup


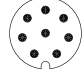
技术参数 Technical Parameter			
芯数 Number of positions	3芯 (pos)	4芯 (pos)	5芯 (pos)
	A-code	A-code	B-code
			
参照标准 Standards	IEC61076-2-104		
污染等级 Degree of pollution	3		
防护等级 Degree of protection	IP67		
连接方式 Connection method	焊杯式(solder cup)		
是否屏蔽 Shielding	否(No)		
机械寿命 Mechanical life	100 (mate cycles)		
电气参数 Electrical parameter			
绝缘电阻 Insulation resistance	≥100 MΩ		
接触阻抗 Contact resistance	<10 mΩ		
额定电压 Rated voltage	50V AC	50V AC	30V AC
	60V DC	60V DC	30V DC
额定电流 Rated current	3A		
材料参数 Materials parameter			
插针/表面材料 Contact/surface material	CuZn/Ni/Au		
插芯材料 Contact carrier material	PA		
螺丝/螺母材料 Screw/nut material	CuZn		
密封材料 Sealing material	NBR		
工作温度 Ambient temperature operation			
-40°C ~ 85°C			
描述 Description	订货号 Order number		
M8*0.5	M8A03C-MPSFHUA	M8A04C-MPSFHUA	M8B05C-MPSFHUA

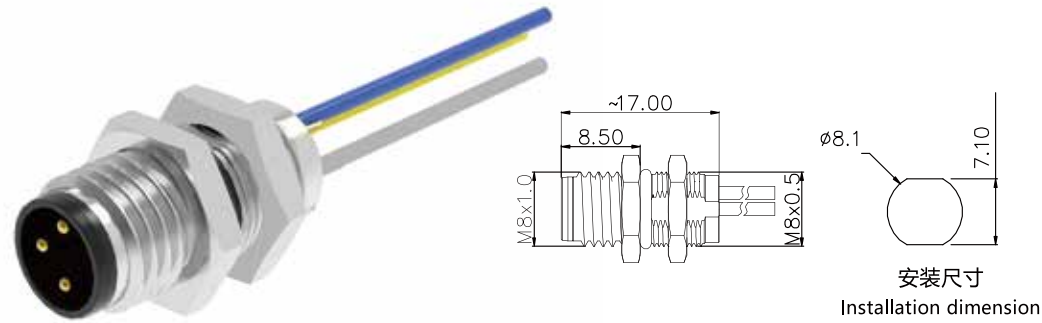
技术参数 Technical Parameter		
芯数 Number of positions	6芯 (pos)	8芯 (pos)
	A-code	A-code
		
参照标准 Standards	IEC61076-2-104	
污染等级 Degree of pollution	3	
防护等级 Degree of protection	IP67	
连接方式 Connection method	焊杯式(solder cup)	
是否屏蔽 Shielding	否(No)	
机械寿命 Mechanical life	100 (mate cycles)	
电气参数 Electrical parameter		
绝缘电阻 Insulation resistance	≥100 MΩ	
接触阻抗 Contact resistance	<10 mΩ	
额定电压 Rated voltage	30V AC	
	30V DC	
额定电流 Rated current	1.5A	
材料参数 Materials parameter		
插针/表面材料 Contact/surface material	CuZn/Ni/Au	
插芯材料 Contact carrier material	PA	
螺丝/螺母材料 Screw/nut material	CuZn	
密封材料 Sealing material	NBR	
工作温度 Ambient temperature operation		
-40°C ~ 85°C		
描述 Description	订货号 Order number	
M8*0.5	M8A06C-MPSFHUA	M8A08C-MPSFHUA



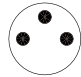

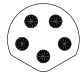
M8公头, 面板式连接器, 板后安装(锁板螺母M8*1.0), 焊杯式
M8 Male panel mount connector
(panel nut M8*1.0) rear mounting, solder cup



技术参数 Technical Parameter			
芯数 Number of positions	3芯 (pos)	4芯 (pos)	5芯 (pos)
	A-code	A-code	B-code
			
参照标准 Standards	IEC61076-2-104		
污染等级 Degree of pollution	3		
防护等级 Degree of protection	IP67		
连接方式 Connection method	焊杯式(solder cup)		
是否屏蔽 Shielding	否(No)		
机械寿命 Mechanical life	100 (mate cycles)		
电气参数 Electrical parameter			
绝缘电阻 Insulation resistance	≥100 MΩ		
接触阻抗 Contact resistance	<10 mΩ		
额定电压 Rated voltage	50V AC	50V AC	30V AC
	60V DC	60V DC	30V DC
额定电流 Rated current	3A		
材料参数 Materials parameter			
插针/表面材料 Contact/surface material	CuZn/Ni/Au		
插芯材料 Contact carrier material	PA		
螺丝/螺母材料 Screw/nut material	CuZn		
密封材料 Sealing material	NBR		
工作温度 Ambient temperature operation			
-40°C ~ 85°C			
描述 Description	订货号 Order number		
M8*1.0	M8A03C-MPSRHUB	M8A04C-MPSRHUB	M8B05C-MPSRHUB

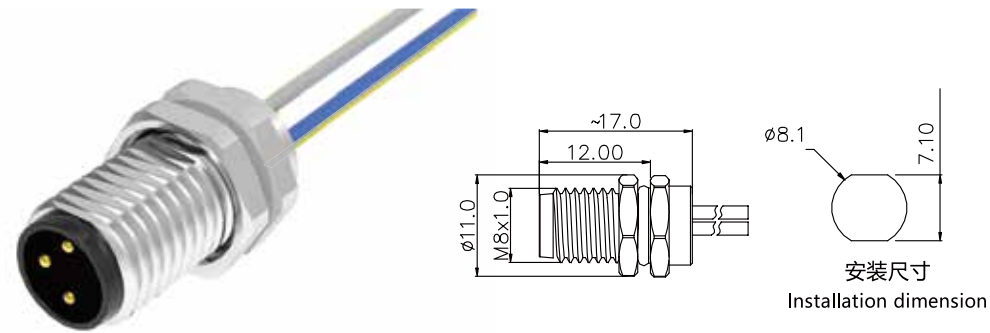
技术参数 Technical Parameter		
芯数 Number of positions	6芯 (pos)	8芯 (pos)
	A-code	A-code
		
参照标准 Standards	IEC61076-2-104	
污染等级 Degree of pollution	3	
防护等级 Degree of protection	IP67	
连接方式 Connection method	焊杯式(solder cup)	
是否屏蔽 Shielding	否(No)	
机械寿命 Mechanical life	100 (mate cycles)	
电气参数 Electrical parameter		
绝缘电阻 Insulation resistance	≥100 MΩ	
接触阻抗 Contact resistance	<10 mΩ	
额定电压 Rated voltage	30V AC	
	30V DC	
额定电流 Rated current	1.5A	
材料参数 Materials parameter		
插针/表面材料 Contact/surface material	CuZn/Ni/Au	
插芯材料 Contact carrier material	PA	
螺丝/螺母材料 Screw/nut material	CuZn	
密封材料 Sealing material	NBR	
工作温度 Ambient temperature operation		
-40°C ~ 85°C		
描述 Description	订货号 Order number	
M8*1.0	M8A06C-MPSRHUB	M8A08C-MPSRHUB



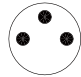

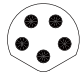
M8公头, 面板式连接器, 板前安装(锁板螺母M8*0.5), 带0.5米电子线
M8 Male panel mount connector, front mounting (panel nut M8*0.5), with 0.5m wires


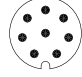
技术参数 Technical Parameter			
芯数 Number of positions	3芯 (pos)	4芯 (pos)	5芯 (pos)
	A-code	A-code	B-code
			
参照标准 Standards	IEC61076-2-104		
污染等级 Degree of pollution	3		
防护等级 Degree of protection	IP67		
安装方式 Mounting type	板前安装M8*0.5(Front mounting M8*0.5)		
是否屏蔽 Shielding	否(No)		
机械寿命 Mechanical life	100 (mate cycles)		
电气参数 Electrical parameter			
绝缘电阻 Insulation resistance	≥100 MΩ		
接触阻抗 Contact resistance	<10 mΩ		
额定电压 Rated voltage	50V AC	50V AC	30V AC
	60V DC	60V DC	30V DC
额定电流 Rated current	3A		
材料参数 Materials parameter			
插针/表面材料 Contact/surface material	CuZn/Ni/Au		
插芯材料 Contact carrier material	PA		
螺丝/螺母材料 Screw/nut material	CuZn		
密封材料 Sealing material	NBR		
工作温度 Ambient temperature operation			
-40°C ~ 85°C			
描述 Description	订货号 Order number		
M8*0.5	M8A03C-MFHA-UC0.5	M8A04C-MFHA-UC0.5	M8B05C-MFHA-UC0.5

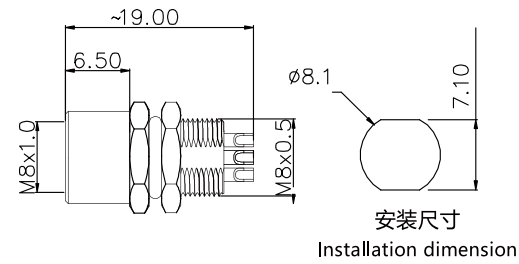
技术参数 Technical Parameter		
芯数 Number of positions	6芯 (pos)	8芯 (pos)
	A-code	A-code
		
参照标准 Standards	IEC61076-2-104	
污染等级 Degree of pollution	3	
防护等级 Degree of protection	IP67	
安装方式 Mounting type	板前安装M8*0.5(Front mounting M8*0.5)	
是否屏蔽 Shielding	否(No)	
机械寿命 Mechanical life	100 (mate cycles)	
电气参数 Electrical parameter		
绝缘电阻 Insulation resistance	≥100 MΩ	
接触阻抗 Contact resistance	<10 mΩ	
额定电压 Rated voltage	30V AC	
	30V DC	
额定电流 Rated current	1.5A	
材料参数 Materials parameter		
插针/表面材料 Contact/surface material	CuZn/Ni/Au	
插芯材料 Contact carrier material	PA	
螺丝/螺母材料 Screw/nut material	CuZn	
密封材料 Sealing material	NBR	
工作温度 Ambient temperature operation		
-40°C ~ 85°C		
描述 Description	订货号 Order number	
M8*0.5	M8A06C-MFHA-UC0.5	M8A08C-MFHA-UC0.5



M8公头，面板式连接器，板后安装(锁板螺母M8*1.0)，带0.5米电子线
M8 Male panel mount connector(panel nut M8*1.0) rear mounting, with 0.5m wires

技术参数 Technical Parameter			
芯数 Number of positions	3芯 (pos)	4芯 (pos)	5芯 (pos)
	A-code	A-code	B-code
			
参照标准 Standards	IEC61076-2-104		
污染等级 Degree of pollution	3		
防护等级 Degree of protection	IP67		
安装方式 Mounting type	板后安装M8*1.0(Rear mounting M8*1.0)		
是否屏蔽 Shielding	否(No)		
机械寿命 Mechanical life	100 (mate cycles)		
电气参数 Electrical parameter			
绝缘电阻 Insulation resistance	≥100 MΩ		
接触阻抗 Contact resistance	<10 mΩ		
额定电压 Rated voltage	50V AC	50V AC	30V AC
	60V DC	60V DC	30V DC
额定电流 Rated current	3A		
材料参数 Materials parameter			
插针/表面材料 Contact/surface material	CuZn/Ni/Au		
插芯材料 Contact carrier material	PA		
螺丝/螺母材料 Screw/nut material	CuZn		
密封材料 Sealing material	NBR		
工作温度 Ambient temperature operation			
	-40°C ~ 85°C		
描述 Description		订货号 Order number	
M8*1.0		M8A03C-MRHB-UC0.5	M8A04C-MRHB-UC0.5
			M8B05C-MRHB-UC0.5

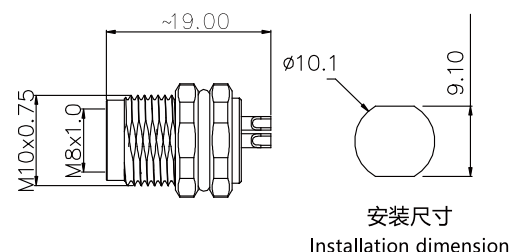
技术参数 Technical Parameter		
芯数 Number of positions	6芯 (pos)	8芯 (pos)
	A-code	A-code
		
参照标准 Standards	IEC61076-2-104	
污染等级 Degree of pollution	3	
防护等级 Degree of protection	IP67	
安装方式 Mounting type	板后安装M8*1.0(Rear mounting M8*1.0)	
是否屏蔽 Shielding	否(No)	
机械寿命 Mechanical life	100 (mate cycles)	
电气参数 Electrical parameter		
绝缘电阻 Insulation resistance	≥100 MΩ	
接触阻抗 Contact resistance	<10 mΩ	
额定电压 Rated voltage	30V AC	
	30V DC	
额定电流 Rated current	1.5A	
材料参数 Materials parameter		
插针/表面材料 Contact/surface material	CuZn/Ni/Au	
插芯材料 Contact carrier material	PA	
螺丝/螺母材料 Screw/nut material	CuZn	
密封材料 Sealing material	NBR	
工作温度 Ambient temperature operation		
	-40°C ~ 85°C	
描述 Description	订货号 Order number	
M8*1.0		M8A06C-MRHB-UC0.5
		M8A08C-MRHB-UC0.5



M8母头, 面板式连接器, 板前安装(锁板螺母M8*0.5)焊杯式
M8 Female panel mount connector, front mounting (panel nut M8*0.5) solder cup

技术参数 Technical Parameter			
芯数 Number of positions	3芯 (pos)	4芯 (pos)	5芯 (pos)
	A-code	A-code	B-code
参照标准 Standards	IEC61076-2-104		
污染等级 Degree of pollution	3		
防护等级 Degree of protection	IP67		
连接方式 Connection method	焊杯式(solder cup)		
是否屏蔽 Shielding	否(No)		
机械寿命 Mechanical life	100 (mate cycles)		
电气参数 Electrical parameter			
绝缘电阻 Insulation resistance	≥100 MΩ		
接触阻抗 Contact resistance	<10 mΩ		
额定电压 Rated voltage	50V AC	50V AC	30V AC
	60V DC	60V DC	30V DC
额定电流 Rated current	3A		
材料参数 Materials parameter			
插针/表面材料 Contact/surface material	CuSn/Ni/Au		
插芯材料 Contact carrier material	PA		
螺丝/螺母材料 Screw/nut material	CuZn		
密封材料 Sealing material	NBR		
工作温度 Ambient temperature operation			
	-40°C ~ 85°C		
描述 Description	订货号 Order number		
M8*0.5	M8A03C-FPSFHUA	M8A04C-FPSFHUA	M8B05C-FPSFHUA

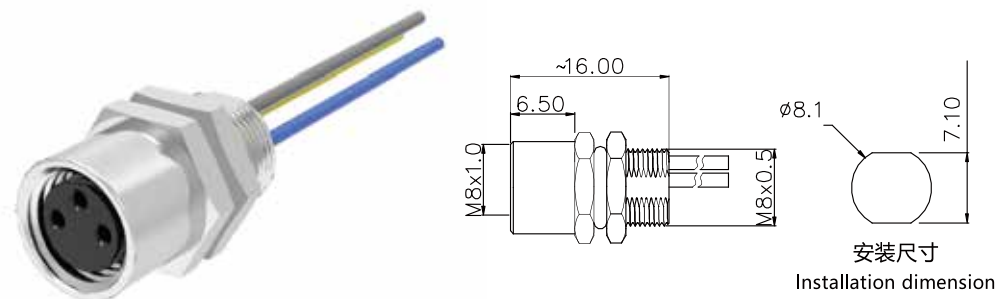
技术参数 Technical Parameter		
芯数 Number of positions	6芯 (pos)	8芯 (pos)
	A-code	A-code
参照标准 Standards	IEC61076-2-104	
污染等级 Degree of pollution	3	
防护等级 Degree of protection	IP67	
连接方式 Connection method	焊杯式(solder cup)	
是否屏蔽 Shielding	否(No)	
机械寿命 Mechanical life	100 (mate cycles)	
电气参数 Electrical parameter		
绝缘电阻 Insulation resistance	≥100 MΩ	
接触阻抗 Contact resistance	<10 mΩ	
额定电压 Rated voltage	30V AC	
	30V DC	
额定电流 Rated current	1.5A	
材料参数 Materials parameter		
插针/表面材料 Contact/surface material	CuSn/Ni/Au	
插芯材料 Contact carrier material	PA	
螺丝/螺母材料 Screw/nut material	CuZn	
密封材料 Sealing material	NBR	
工作温度 Ambient temperature operation		
	-40°C ~ 85°C	
描述 Description	订货号 Order number	
M8*0.5	M8A06C-FPSFHUA	M8A08C-FPSFHUA



M8母头, 面板式连接器, 板后安装(锁板螺母M10*0.75), 焊杯式
M8 Male panel mount connector
(panel nut M10*0.75) rear mounting, solder cup


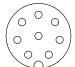
技术参数 Technical Parameter			
芯数 Number of positions	3芯 (pos)	4芯 (pos)	5芯 (pos)
	A-code	A-code	B-code
参照标准 Standards	IEC61076-2-104		
污染等级 Degree of pollution	3		
防护等级 Degree of protection	IP67		
连接方式 Connection method	焊杯式(solder cup)		
是否屏蔽 Shielding	否(No)		
机械寿命 Mechanical life	100 (mate cycles)		
电气参数 Electrical parameter			
绝缘电阻 Insulation resistance	≥100 MΩ		
接触阻抗 Contact resistance	<10 mΩ		
额定电压 Rated voltage	50V AC	50V AC	30V AC
	60V DC	60V DC	30V DC
额定电流 Rated current	3A		
材料参数 Materials parameter			
插针/表面材料 Contact/surface material	CuSn/Ni/Au		
插芯材料 Contact carrier material	PA		
螺丝/螺母材料 Screw/nut material	CuZn		
密封材料 Sealing material	NBR		
工作温度 Ambient temperature operation			
-40°C ~ 85°C			
描述 Description	订货号 Order number		
M10*0.75	M8A03C-FPSRHUC	M8A04C-FPSRHUC	M8B05C-FPSRHUC

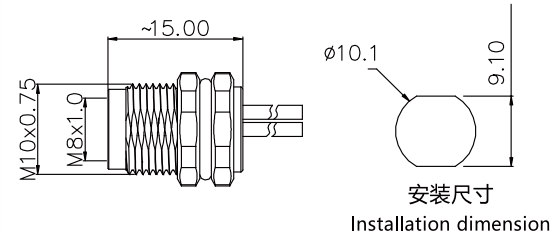
技术参数 Technical Parameter		
芯数 Number of positions	6芯 (pos)	8芯 (pos)
	A-code	A-code
参照标准 Standards	IEC61076-2-104	
污染等级 Degree of pollution	3	
防护等级 Degree of protection	IP67	
连接方式 Connection method	焊杯式(solder cup)	
是否屏蔽 Shielding	否(No)	
机械寿命 Mechanical life	100 (mate cycles)	
电气参数 Electrical parameter		
绝缘电阻 Insulation resistance	≥100 MΩ	
接触阻抗 Contact resistance	<10 mΩ	
额定电压 Rated voltage	30V AC	
	30V DC	
额定电流 Rated current	1.5A	
材料参数 Materials parameter		
插针/表面材料 Contact/surface material	CuSn/Ni/Au	
插芯材料 Contact carrier material	PA	
螺丝/螺母材料 Screw/nut material	CuZn	
密封材料 Sealing material	NBR	
工作温度 Ambient temperature operation		
-40°C ~ 85°C		
描述 Description	订货号 Order number	
M10*0.75	M8A06C-FPSRHUC	M8A08C-FPSRHUC



M8母头, 面板式连接器, 板前安装(锁板螺母M8*0.5), 带0.5米电子线
M8 Female panel mount connector, front mounting (panel nut M8*0.5), with 0.5m wires

技术参数 Technical Parameter			
芯数 Number of positions	3芯 (pos)	4芯 (pos)	5芯 (pos)
	A-code	A-code	B-code
			
参照标准 Standards	IEC61076-2-104		
污染等级 Degree of pollution	3		
防护等级 Degree of protection	IP67		
安装方式 Mounting type	板前安装M8*0.5(Front mounting M8*0.5)		
是否屏蔽 Shielding	否(No)		
机械寿命 Mechanical life	100 (mate cycles)		
电气参数 Electrical parameter			
绝缘电阻 Insulation resistance	≥100 MΩ		
接触阻抗 Contact resistance	<10 mΩ		
额定电压 Rated voltage	50V AC	50V AC	30V AC
	60V DC	60V DC	30V DC
额定电流 Rated current	3A		
材料参数 Materials parameter			
插针/表面材料 Contact/surface material	CuSn/Ni/Au		
插芯材料 Contact carrier material	PA		
螺丝/螺母材料 Screw/nut material	CuZn		
密封材料 Sealing material	NBR		
工作温度 Ambient temperature operation			
	-40°C ~ 85°C		
描述 Description		订货号 Order number	
M8*0.5		M8A03C-FFHA-UC0.5	M8A04C-FFHA-UC0.5
			M8B05C-FFHA-UC0.5

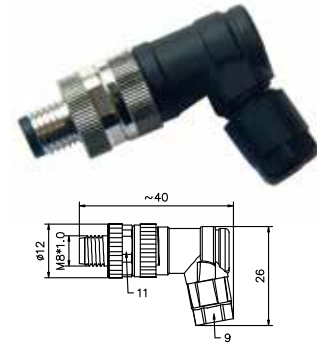
技术参数 Technical Parameter		
芯数 Number of positions	6芯 (pos)	8芯 (pos)
	A-code	A-code
		
参照标准 Standards	IEC61076-2-104	
污染等级 Degree of pollution	3	
防护等级 Degree of protection	IP67	
安装方式 Mounting type	板前安装M8*0.5(Front mounting M8*0.5)	
是否屏蔽 Shielding	否(No)	
机械寿命 Mechanical life	100 (mate cycles)	
电气参数 Electrical parameter		
绝缘电阻 Insulation resistance	≥100 MΩ	
接触阻抗 Contact resistance	<10 mΩ	
额定电压 Rated voltage	30V AC	
	30V DC	
额定电流 Rated current	1.5A	
材料参数 Materials parameter		
插针/表面材料 Contact/surface material	CuSn/Ni/Au	
插芯材料 Contact carrier material	PA	
螺丝/螺母材料 Screw/nut material	CuZn	
密封材料 Sealing material	NBR	
工作温度 Ambient temperature operation		
	-40°C ~ 85°C	
描述 Description	订货号 Order number	
M8*0.5		M8A06C-FFHA-UC0.5
		M8A08C-FFHA-UC0.5



M8母头, 面板式连接器, 板后安装(锁板螺母M10*0.75), 带0.5米电子线
 M8 Female panel mount connector
 (panel nut M10*0.75)rear mounting, with 0.5m wires

技术参数 Technical Parameter			
芯数 Number of positions	3芯 (pos)	4芯 (pos)	5芯 (pos)
	A-code	A-code	B-code
参照标准 Standards	IEC61076-2-104		
污染等级 Degree of pollution	3		
防护等级 Degree of protection	IP67		
安装方式 Mounting type	板后安装M10*0.75(Rear mounting M10*0.75)		
是否屏蔽 Shielding	否(No)		
机械寿命 Mechanical life	100 (mate cycles)		
电气参数 Electrical parameter			
绝缘电阻 Insulation resistance	≥100 MΩ		
接触阻抗 Contact resistance	<10 mΩ		
额定电压 Rated voltage	50V AC	50V AC	30V AC
	60V DC	60V DC	30V DC
额定电流 Rated current	3A		
材料参数 Materials parameter			
插针/表面材料 Contact/surface material	CuSn/Ni/Au		
插芯材料 Contact carrier material	PA		
螺丝/螺母材料 Screw/nut material	CuZn		
密封材料 Sealing material	NBR		
工作温度 Ambient temperature operation			
	-40°C ~ 85°C		
描述 Description	订货号 Order number		
M10*0.75	M8A03C-FRHC-UC0.5	M8A04C-FRHC-UC0.5	M8B05C-FRHC-UC0.5

技术参数 Technical Parameter	
芯数 Number of positions	6芯 (pos)
	A-code
参照标准 Standards	IEC61076-2-104
污染等级 Degree of pollution	3
防护等级 Degree of protection	IP67
安装方式 Mounting type	板后安装M10*0.75(Rear mounting M10*0.75)
是否屏蔽 Shielding	否(No)
机械寿命 Mechanical life	100 (mate cycles)
电气参数 Electrical parameter	
绝缘电阻 Insulation resistance	≥100 MΩ
接触阻抗 Contact resistance	<10 mΩ
额定电压 Rated voltage	30V AC
	30V DC
额定电流 Rated current	1.5A
材料参数 Materials parameter	
插针/表面材料 Contact/surface material	CuSn/Ni/Au
插芯材料 Contact carrier material	PA
螺丝/螺母材料 Screw/nut material	CuZn
密封材料 Sealing material	NBR
工作温度 Ambient temperature operation	
	-40°C ~ 85°C
描述 Description	订货号 Order number
M10*0.75	M8A06C-FRHC-UC0.5



M8公直头, 组装式(现场接线), 非屏蔽, 锁螺钉式
M8 Male straight connector, assembly(field), unshield,screw

M8公弯头, 组装式(现场接线), 非屏蔽, 锁螺钉式
M8 Male angled connector, assembly(field), unshield,screw

技术参数 Technical Parameter

芯数 Number of positions	3芯(pos)	4芯(pos)	3芯(pos)	4芯(pos)
	A-code	A-code	A-code	A-code
参照标准 Standards	IEC61076-2-104			
污染等级 Degree of pollution	3			
防护等级 Degree of protection	IP67			
连接方式 Connection method	锁螺钉式(screw)			
是否屏蔽 Shielding	否(No)			
电缆直径 Cable OD.	3.5-6.0mm			
插拔次数 Insertion/withdrawal cycles	≥100 (mate cycles)			

电气参数 Electrical parameter

绝缘电阻 Insulation resistance	≥100 MΩ			
接触阻抗 Contact resistance	<10 mΩ			
额定电压 Rated voltage	50V AC			
	60V DC			
额定电流 Rated current	3A			

材料参数 Materials parameter

插针/表面材料 Contact/surface material	CuZn/Ni/Au			
插芯材料 Contact carrier material	PA			
螺丝/螺母材料 Screw/nut material	Zinc			
密封材料 Sealing material	NBR			

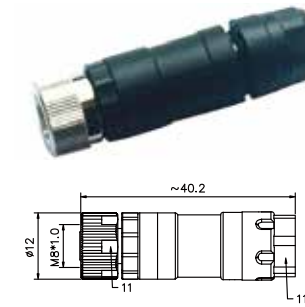
工作温度 Ambient temperature operation

-40°C ~ 85°C

描述 Description

订货号 Order number

	M8A03Z-MAASTUA	M8A04Z-MAASTUA	M8A03Z-MAARAU A	M8A04Z-MAARAU A



M8母直头, 组装式(现场接线), 非屏蔽, 锁螺钉式
M8 Female straight connector, assembly(field), unshield,screw

M8母弯头, 组装式(现场接线), 非屏蔽, 锁螺钉式
M8 Female angled connector, assembly(field), unshield,screw

技术参数 Technical Parameter

芯数 Number of positions	3芯(pos)	4芯(pos)	3芯(pos)	4芯(pos)
	A-code	A-code	A-code	A-code
参照标准 Standards	IEC61076-2-104			
污染等级 Degree of pollution	3			
防护等级 Degree of protection	IP67			
连接方式 Connection method	锁螺钉式(screw)			
是否屏蔽 Shielding	否(No)			
电缆直径 Cable OD.	3.5-6.0mm			
插拔次数 Insertion/withdrawal cycles	≥100 (mate cycles)			

电气参数 Electrical parameter

绝缘电阻 Insulation resistance	≥100 MΩ			
接触阻抗 Contact resistance	<10 mΩ			
额定电压 Rated voltage	50V AC			
	60V DC			
额定电流 Rated current	3A			

材料参数 Materials parameter

插针/表面材料 Contact/surface material	CuSn/Ni/Au			
插芯材料 Contact carrier material	PA			
螺丝/螺母材料 Screw/nut material	Zinc			
密封材料 Sealing material	NBR			

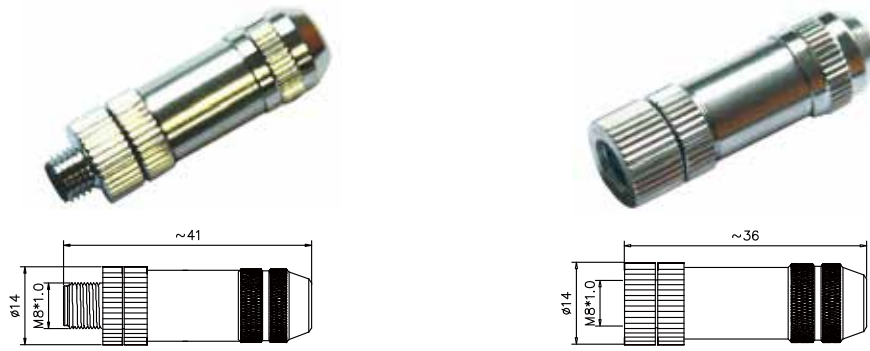
工作温度 Ambient temperature operation

-40°C ~ 85°C

描述 Description

订货号 Order number

	M8A03Z-FAASTUA	M8A04Z-FAASTUA	M8A03Z-FAARAU A	M8A04Z-FAARAU A



M8公直头, 组装式(现场接线), 屏蔽, 锁螺钉式
M8 Male straight connector, assembly(field), shield,screw

M8母直头, 组装式(现场接线), 屏蔽, 锁螺钉式
M8 Female straight connector, assembly(field), shield,screw

技术参数 Technical Parameter

芯数 Number of positions	3芯(pos)	4芯(pos)	3芯(pos)	4芯(pos)
	A-code	A-code	A-code	A-code
参照标准 Standards	IEC61076-2-104			
污染等级 Degree of pollution	3			
防护等级 Degree of protection	IP67			
连接方式 Connection method	锁螺钉式(screw)			
是否屏蔽 Shielding	是(Yes)			
电缆直径 Cable OD.	3.5-6.0mm			
插拔次数 Insertion/withdrawal cycles	≥100 (mate cycles)			

电气参数 Electrical parameter

绝缘电阻 Insulation resistance	≥100 MΩ
接触阻抗 Contact resistance	<10 mΩ
额定电压 Rated voltage	50V AC
	60V DC
额定电流 Rated current	3A

材料参数 Materials parameter

插针/表面材料 Contact/surface material	CuZn/Ni/Au	CuSn/Ni/Au
插芯材料 Contact carrier material	PA	
螺丝/螺母材料 Screw/nut material	Zinc	
密封材料 Sealing material	NBR	

工作温度 Ambient temperature operation

-40°C ~ 85°C

描述 Description

订货号 Order number

	M8A03Z-MAASTSA	M8A04Z-MAASTSA	M8A03Z-MAARASA	M8A04Z-MAARASA

M12系列连接器 M12 series connector

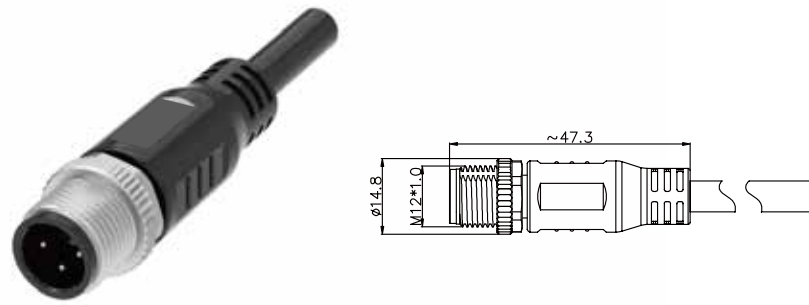
M12系列连接器 & 线束 M12 series connector & Harness

M12系列圆形连接器可提供更多类型的产品, 编码类型有10多种选择, 不仅能实现信号传输, M12X-code还可实现高达10Gbps的数据传输, S和T-code在有限的空间内还可实现大功率传输, 防护等级均可达到IP67及以上。该系列有不同型式可供客户选择, 有注塑成型式、组装式、面板式、分支器、终端器等类型。

The M12 series circular connector can provide more types of products. There are more than 10 types of anti fool interface, which can not only realize signal transmission, but also realize data transmission up to 10Gbps with m12x code. S and T-code can also realize high-power transmission in limited space, and the protection level can reach IP67 and above. The series has different types for customers to choose from, including injection molding type, assembly type, panel type, branching device, terminal device, etc.



- ◆ 执行标准 IEC 61076-2-101、IEC61076-2-111 ;
 - ◆ 有2-17芯供选择 ;
 - ◆ 可注塑成型LED指示灯, 诊断线路连接 ;
 - ◆ 特殊防震螺纹锁紧结构设计 ;
 - ◆ 螺纹锁紧式、快锁式、快速插拔式等锁紧方式 ;
 - ◆ 可选360°全屏蔽, 提供可靠的EMC防护 ;
 - ◆ PUR/PVC线材外被, 线材长度及线端客制化处理 ;
 - ◆ 有Profibus、Profinet、DeviceNET、CANBUS、CANopen、CC-Link等线材选用, 并做定制化处理。
- ◆ The Executive Standards are IEC 61076-2-101 and IEC 61076-2-111;
 - ◆ There are 2-17 cores to choose from;
 - ◆ Injection molding LED indicator, diagnosis circuit connection;
 - ◆ Special anti vibration thread locking structure design;
 - ◆ Thread locking type, quick locking type, quick plugging type and other locking modes;
 - ◆ 360° full shielding is optional to provide reliable EMC protection;
 - ◆ PUR / PVC wire coating, wire length and end terminal customized treatment;
 - ◆ There are PROFIBUS, PROFINET, DeviceNet, CANbus, CANopen, CC link and other wire materials were selected and customized.



M12公直头, 预铸电缆, 非屏蔽
M12 Male straight cable connector, moulded, unshielded

技术参数 Technical Parameter

芯数 Number of positions	3芯(pos)	4芯(pos)	5芯(pos)	8芯(pos)
	A-code	A-code	A-code	A-code
接口编码类型 Interface code type				
参照标准 Standards	IEC61076-2-101			
污染等级 Degree of pollution	3			
防护等级 Degree of protection	IP67			
连接方式 Connection method	预铸成型式(Moulded)			
是否屏蔽 Shielding	否(No)			
机械寿命 Mechanical life	100 (mate cycles)			

电气参数 Electrical parameter

绝缘电阻 Insulation resistance	≥100 MΩ			
接触阻抗 Contact resistance	<10 mΩ			
额定电压 Rated voltage	250V	250V	60V	30V
额定电流 Rated current	4A	4A	4A	2A

材料参数 Materials parameter

插针/表面材料 Contact/surface material	CuZn/Ni/Au			
插芯材料 Contact carrier material	TPU			
螺丝/螺母材料 Screw/nut material	Zinc			
密封材料 Sealing material	NBR			

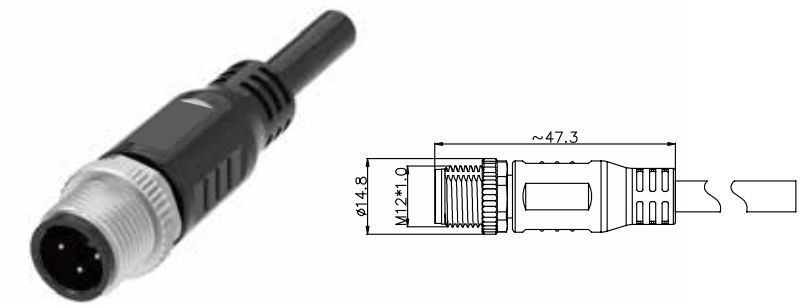
工作温度 Ambient temperature operation

-40°C ~ 85°C

描述 Description

订货号 Order number

PVC外被 PVC Jacket	1m	M12A03Z-MMSST-UC001B	M12A04Z-MMSST-UC001B	M12A05Z-MMSST-UC001B	M12A08Z-MMSST-UC001B
	3m	M12A03Z-MMSST-UC003B	M12A04Z-MMSST-UC003B	M12A05Z-MMSST-UC003B	M12A08Z-MMSST-UC003B
	5m	M12A03Z-MMSST-UC005B	M12A04Z-MMSST-UC005B	M12A05Z-MMSST-UC005B	M12A08Z-MMSST-UC005B
PUR外被 PUR Jacket	1m	M12A03Z-MMSST-UP001B	M12A04Z-MMSST-UP001B	M12A05Z-MMSST-UP001B	M12A08Z-MMSST-UP001B
	3m	M12A03Z-MMSST-UP003B	M12A04Z-MMSST-UP003B	M12A05Z-MMSST-UP003B	M12A08Z-MMSST-UP003B
	5m	M12A03Z-MMSST-UP005B	M12A04Z-MMSST-UP005B	M12A05Z-MMSST-UP005B	M12A08Z-MMSST-UP005B



M12公直头, 预铸电缆, 非屏蔽
M12 Male straight cable connector, moulded, unshielded

技术参数 Technical Parameter

芯数 Number of positions	12芯(pos)	17芯(pos)	5芯(pos)	4芯(pos)
	A-code	A-code	B-code	D-code
接口编码类型 Interface code type				
参照标准 Standards	IEC61076-2-101			
污染等级 Degree of pollution	3			
防护等级 Degree of protection	IP67			
连接方式 Connection method	预铸成型式(Moulded)			
是否屏蔽 Shielding	否(No)			
机械寿命 Mechanical life	100 (mate cycles)			

电气参数 Electrical parameter

绝缘电阻 Insulation resistance	≥100 MΩ			
接触阻抗 Contact resistance	<10 mΩ			
额定电压 Rated voltage	30V	30V	60V	250V
额定电流 Rated current	1.5A	1.5A	4A	4A

材料参数 Materials parameter

插针/表面材料 Contact/surface material	CuZn/Ni/Au			
插芯材料 Contact carrier material	TPU			
螺丝/螺母材料 Screw/nut material	Zinc			
密封材料 Sealing material	NBR			

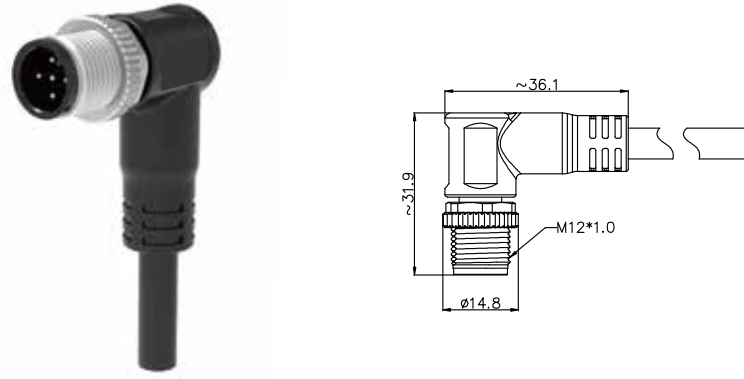
工作温度 Ambient temperature operation

-40°C ~ 85°C

描述 Description

订货号 Order number

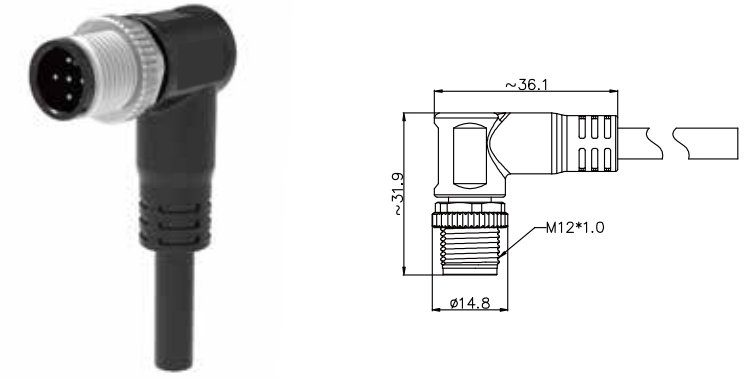
PVC外被 PVC Jacket	1m	M12A12Z-MMSST-UC001B	M12A17Z-MMSST-UC001B	M12B05Z-MMSST-UC001B	M12D04Z-MMSST-UC001B
	3m	M12A12Z-MMSST-UC003B	M12A17Z-MMSST-UC003B	M12B05Z-MMSST-UC003B	M12D04Z-MMSST-UC003B
	5m	M12A12Z-MMSST-UC005B	M12A17Z-MMSST-UC005B	M12B05Z-MMSST-UC005B	M12D04Z-MMSST-UC005B
PUR外被 PUR Jacket	1m	M12A12Z-MMSST-UP001B	M12A17Z-MMSST-UP001B	M12B05Z-MMSST-UP001B	M12D04Z-MMSST-UP001B
	3m	M12A12Z-MMSST-UP003B	M12A17Z-MMSST-UP003B	M12B05Z-MMSST-UP003B	M12D04Z-MMSST-UP003B
	5m	M12A12Z-MMSST-UP005B	M12A17Z-MMSST-UP005B	M12B05Z-MMSST-UP005B	M12D04Z-MMSST-UP005B



M12公弯头, 预铸电缆, 非屏蔽
M12 Male angled cable connector, moulded, unshield

技术参数 Technical Parameter

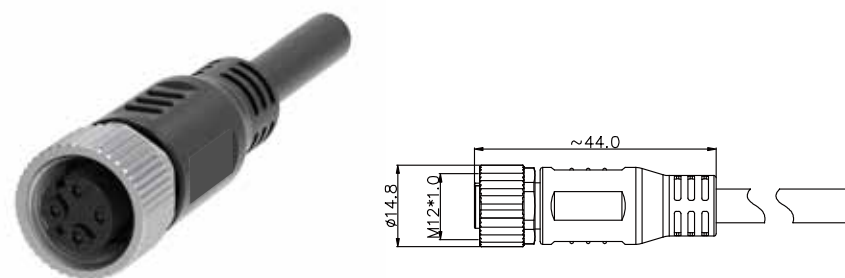
芯数 Number of positions	3芯(pos)	4芯(pos)	5芯(pos)	8芯(pos)	
	A-code	A-code	A-code	A-code	
接口编码类型 Interface code type					
参照标准 Standards	IEC61076-2-101				
污染等级 Degree of pollution	3				
防护等级 Degree of protection	IP67				
连接方式 Connection method	预铸成型式(Moulded)				
是否屏蔽 Shielding	否(No)				
机械寿命 Mechanical life	100 (mate cycles)				
电气参数 Electrical parameter					
绝缘电阻 Insulation resistance	≥100 MΩ				
接触阻抗 Contact resistance	<10 mΩ				
额定电压 Rated voltage	250V	250V	60V	30V	
额定电流 Rated current	4A	4A	4A	2A	
材料参数 Materials parameter					
插针/表面材料 Contact/surface material	CuZn/Ni/Au				
插芯材料 Contact carrier material	TPU				
螺丝/螺母材料 Screw/nut material	Zinc				
密封材料 Sealing material	NBR				
工作温度 Ambient temperature operation					
-40°C ~ 85°C					
描述 Description		订货号 Order number			
PVC外被 PVC Jacket	1m	M12A03Z-MMSRA-UC001B	M12A04Z-MMSRA-UC001B	M12A05Z-MMSRA-UC001B	M12A08Z-MMSRA-UC001B
	3m	M12A03Z-MMSRA-UC003B	M12A04Z-MMSRA-UC003B	M12A05Z-MMSRA-UC003B	M12A08Z-MMSRA-UC003B
	5m	M12A03Z-MMSRA-UC005B	M12A04Z-MMSRA-UC005B	M12A05Z-MMSRA-UC005B	M12A08Z-MMSRA-UC005B
PUR外被 PUR Jacket	1m	M12A03Z-MMSRA-UP001B	M12A04Z-MMSRA-UP001B	M12A05Z-MMSRA-UP001B	M12A08Z-MMSRA-UP001B
	3m	M12A03Z-MMSRA-UP003B	M12A04Z-MMSRA-UP003B	M12A05Z-MMSRA-UP003B	M12A08Z-MMSRA-UP003B
	5m	M12A03Z-MMSRA-UP005B	M12A04Z-MMSRA-UP005B	M12A05Z-MMSRA-UP005B	M12A08Z-MMSRA-UP005B



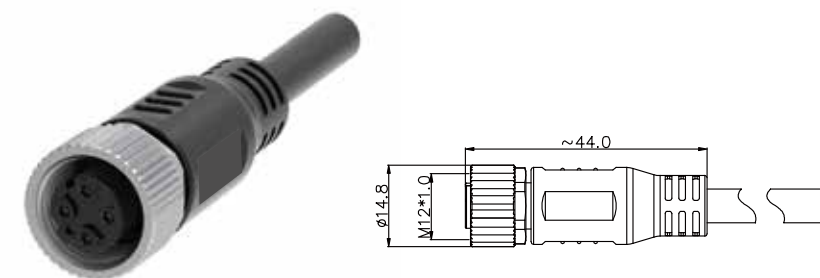
M12公弯头, 预铸电缆, 非屏蔽
M12 Male angled cable connector, moulded, unshield

技术参数 Technical Parameter

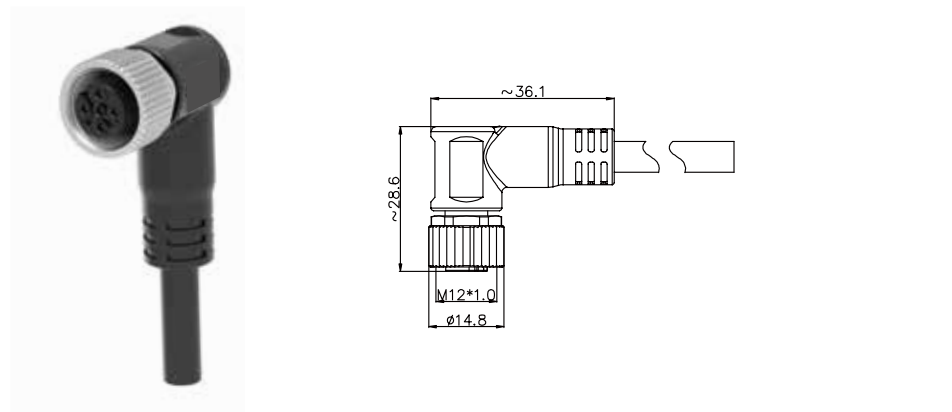
芯数 Number of positions	12芯(pos)	17芯(pos)	5芯(pos)	4芯(pos)	
	A-code	A-code	B-code	D-code	
接口编码类型 Interface code type					
参照标准 Standards	IEC61076-2-101				
污染等级 Degree of pollution	3				
防护等级 Degree of protection	IP67				
连接方式 Connection method	预铸成型式(Moulded)				
是否屏蔽 Shielding	否(No)				
机械寿命 Mechanical life	100 (mate cycles)				
电气参数 Electrical parameter					
绝缘电阻 Insulation resistance	≥100 MΩ				
接触阻抗 Contact resistance	<10 mΩ				
额定电压 Rated voltage	30V	30V	60V	250V	
额定电流 Rated current	1.5A	1.5A	4A	4A	
材料参数 Materials parameter					
插针/表面材料 Contact/surface material	CuZn/Ni/Au				
插芯材料 Contact carrier material	TPU				
螺丝/螺母材料 Screw/nut material	Zinc				
密封材料 Sealing material	NBR				
工作温度 Ambient temperature operation					
-40°C ~ 85°C					
描述 Description		订货号 Order number			
PVC外被 PVC Jacket	1m	M12A12Z-MMSRA-UC001B	M12A17Z-MMSRA-UC001B	M12B05Z-MMSRA-UC001B	M12D04Z-MMSRA-UC001B
	3m	M12A12Z-MMSRA-UC003B	M12A17Z-MMSRA-UC003B	M12B05Z-MMSRA-UC003B	M12D04Z-MMSRA-UC003B
	5m	M12A12Z-MMSRA-UC005B	M12A17Z-MMSRA-UC005B	M12B05Z-MMSRA-UC005B	M12D04Z-MMSRA-UC005B
PUR外被 PUR Jacket	1m	M12A12Z-MMSRA-UP001B	M12A17Z-MMSRA-UP001B	M12B05Z-MMSRA-UP001B	M12D04Z-MMSRA-UP001B
	3m	M12A12Z-MMSRA-UP003B	M12A17Z-MMSRA-UP003B	M12B05Z-MMSRA-UP003B	M12D04Z-MMSRA-UP003B
	5m	M12A12Z-MMSRA-UP005B	M12A17Z-MMSRA-UP005B	M12B05Z-MMSRA-UP005B	M12D04Z-MMSRA-UP005B



M12母直头, 预铸电缆, 非屏蔽 M12 Female straight cable connector, moulded,unshield					
技术参数 Technical Parameter					
芯数 Number of positions	3芯(pos)	4芯(pos)	5芯(pos)	8芯(pos)	
接口编码类型 Interface code type	A-code	A-code	A-code	A-code	
参照标准 Standards	IEC61076-2-101				
污染等级 Degree of pollution	3				
防护等级 Degree of protection	IP67				
连接方式 Connection method	预铸成型式(Moulded)				
是否屏蔽 Shielding	否(No)				
机械寿命 Mechanical life	100 (mate cycles)				
电气参数 Electrical parameter					
绝缘电阻 Insulation resistance	≥100 MΩ				
接触阻抗 Contact resistance	<10 mΩ				
额定电压 Rated voltage	250V	250V	60V	30V	
额定电流 Rated current	4A	4A	4A	2A	
材料参数 Materials parameter					
插针/表面材料 Contact/surface material	CuSn/Ni/Au				
插芯材料 Contact carrier material	TPU				
螺丝/螺母材料 Screw/nut material	Zinc				
密封材料 Sealing material	NBR				
工作温度 Ambient temperature operation					
-40°C ~ 85°C					
描述 Description		订货号 Order number			
PVC外被 PVC Jacket	1m	M12A03Z-FMSST-UC001B	M12A04Z-FMSST-UC001B	M12A05Z-FMSST-UC001B	M12A08Z-FMSST-UC001B
	3m	M12A03Z-FMSST-UC003B	M12A04Z-FMSST-UC003B	M12A05Z-FMSST-UC003B	M12A08Z-FMSST-UC003B
	5m	M12A03Z-FMSST-UC005B	M12A04Z-FMSST-UC005B	M12A05Z-FMSST-UC005B	M12A08Z-FMSST-UC005B
PUR外被 PUR Jacket	1m	M12A03Z-FMSST-UP001B	M12A04Z-FMSST-UP001B	M12A05Z-FMSST-UP001B	M12A08Z-FMSST-UP001B
	3m	M12A03Z-FMSST-UP003B	M12A04Z-FMSST-UP003B	M12A05Z-FMSST-UP003B	M12A08Z-FMSST-UP003B
	5m	M12A03Z-FMSST-UP005B	M12A04Z-FMSST-UP005B	M12A05Z-FMSST-UP005B	M12A08Z-FMSST-UP005B



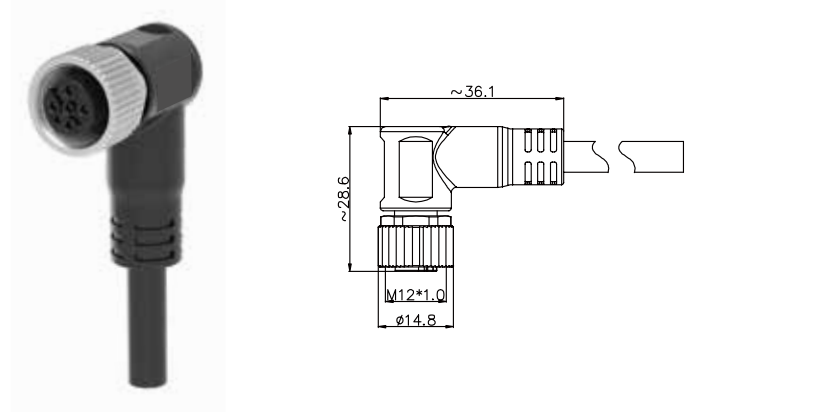
M12母直头, 预铸电缆, 非屏蔽 M12 Female straight cable connector, moulded,unshield					
技术参数 Technical Parameter					
芯数 Number of positions	12芯(pos)	17芯(pos)	5芯(pos)	4芯(pos)	
接口编码类型 Interface code type	A-code	A-code	B-code	D-code	
参照标准 Standards	IEC61076-2-101				
污染等级 Degree of pollution	3				
防护等级 Degree of protection	IP67				
连接方式 Connection method	预铸成型式(Moulded)				
是否屏蔽 Shielding	否(No)				
机械寿命 Mechanical life	100 (mate cycles)				
电气参数 Electrical parameter					
绝缘电阻 Insulation resistance	≥100 MΩ				
接触阻抗 Contact resistance	<10 mΩ				
额定电压 Rated voltage	30V	30V	60V	250V	
额定电流 Rated current	1.5A	1.5A	4A	4A	
材料参数 Materials parameter					
插针/表面材料 Contact/surface material	CuSn/Ni/Au				
插芯材料 Contact carrier material	TPU				
螺丝/螺母材料 Screw/nut material	Zinc				
密封材料 Sealing material	NBR				
工作温度 Ambient temperature operation					
-40°C ~ 85°C					
描述 Description		订货号 Order number			
PVC外被 PVC Jacket	1m	M12A12Z-FMSST-UC001B	M12A17Z-FMSST-UC001B	M12B05Z-FMSST-UC001B	M12D04Z-FMSST-UC001B
	3m	M12A12Z-FMSST-UC003B	M12A17Z-FMSST-UC003B	M12B05Z-FMSST-UC003B	M12D04Z-FMSST-UC003B
	5m	M12A12Z-FMSST-UC005B	M12A17Z-FMSST-UC005B	M12B05Z-FMSST-UC005B	M12D04Z-FMSST-UC005B
PUR外被 PUR Jacket	1m	M12A12Z-FMSST-UP001B	M12A17Z-FMSST-UP001B	M12B05Z-FMSST-UP001B	M12D04Z-FMSST-UP001B
	3m	M12A12Z-FMSST-UP003B	M12A17Z-FMSST-UP003B	M12B05Z-FMSST-UP003B	M12D04Z-FMSST-UP003B
	5m	M12A12Z-FMSST-UP005B	M12A17Z-FMSST-UP005B	M12B05Z-FMSST-UP005B	M12D04Z-FMSST-UP005B



M12母弯头, 预铸电缆, 非屏蔽
M12 Female angled cable connector, moulded, unshielded

技术参数 Technical Parameter				
芯数 Number of positions	3芯(pos)	4芯(pos)	5芯(pos)	8芯(pos)
接口编码类型 Interface code type	A-code	A-code	A-code	A-code
参照标准 Standards	IEC61076-2-101			
污染等级 Degree of pollution	3			
防护等级 Degree of protection	IP67			
连接方式 Connection method	预铸成型式(Moulded)			
是否屏蔽 Shielding	否(No)			
机械寿命 Mechanical life	100 (mate cycles)			
电气参数 Electrical parameter				
绝缘电阻 Insulation resistance	≥100 MΩ			
接触阻抗 Contact resistance	<10 mΩ			
额定电压 Rated voltage	250V	250V	60V	30V
额定电流 Rated current	4A	4A	4A	2A
材料参数 Materials parameter				
插针/表面材料 Contact/surface material	CuSn/Ni/Au			
插芯材料 Contact carrier material	TPU			
螺丝/螺母材料 Screw/nut material	Zinc			
密封材料 Sealing material	NBR			
工作温度 Ambient temperature operation				
-40°C ~ 85°C				

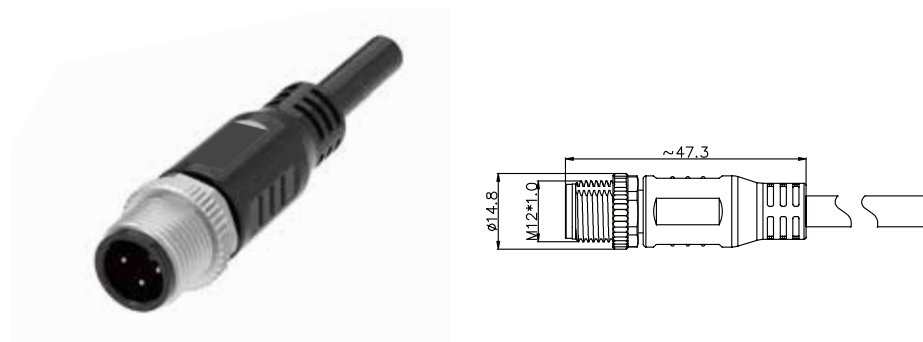
描述 Description		订货号 Order number			
PVC外被 PVC Jacket	1m	M12A03Z-FMSRA-UC001B	M12A04Z-FMSRA-UC001B	M12A05Z-FMSRA-UC001B	M12A08Z-FMSRA-UC001B
	3m	M12A03Z-FMSRA-UC003B	M12A04Z-FMSRA-UC003B	M12A05Z-FMSRA-UC003B	M12A08Z-FMSRA-UC003B
	5m	M12A03Z-FMSRA-UC005B	M12A04Z-FMSRA-UC005B	M12A05Z-FMSRA-UC005B	M12A08Z-FMSRA-UC005B
PUR外被 PUR Jacket	1m	M12A03Z-FMSRA-UP001B	M12A04Z-FMSRA-UP001B	M12A05Z-FMSRA-UP001B	M12A08Z-FMSRA-UP001B
	3m	M12A03Z-FMSRA-UP003B	M12A04Z-FMSRA-UP003B	M12A05Z-FMSRA-UP003B	M12A08Z-FMSRA-UP003B
	5m	M12A03Z-FMSRA-UP005B	M12A04Z-FMSRA-UP005B	M12A05Z-FMSRA-UP005B	M12A08Z-FMSRA-UP005B



M12母弯头, 预铸电缆, 非屏蔽
M12 Female angled cable connector, moulded, unshielded

技术参数 Technical Parameter				
芯数 Number of positions	12芯(pos)	17芯(pos)	5芯(pos)	4芯(pos)
接口编码类型 Interface code type	A-code	A-code	B-code	D-code
参照标准 Standards	IEC61076-2-101			
污染等级 Degree of pollution	3			
防护等级 Degree of protection	IP67			
连接方式 Connection method	预铸成型式(Moulded)			
是否屏蔽 Shielding	否(No)			
机械寿命 Mechanical life	100 (mate cycles)			
电气参数 Electrical parameter				
绝缘电阻 Insulation resistance	≥100 MΩ			
接触阻抗 Contact resistance	<10 mΩ			
额定电压 Rated voltage	30V	30V	60V	250V
额定电流 Rated current	1.5A	1.5A	4A	4A
材料参数 Materials parameter				
插针/表面材料 Contact/surface material	CuSn/Ni/Au			
插芯材料 Contact carrier material	TPU			
螺丝/螺母材料 Screw/nut material	Zinc			
密封材料 Sealing material	NBR			
工作温度 Ambient temperature operation				
-40°C ~ 85°C				

描述 Description		订货号 Order number			
PVC外被 PVC Jacket	1m	M12A12Z-FMSRA-UC001B	M12A17Z-FMSRA-UC001B	M12B05Z-FMSRA-UC001B	M12D04Z-FMSRA-UC001B
	3m	M12A12Z-FMSRA-UC003B	M12A17Z-FMSRA-UC003B	M12B05Z-FMSRA-UC003B	M12D04Z-FMSRA-UC003B
	5m	M12A12Z-FMSRA-UC005B	M12A17Z-FMSRA-UC005B	M12B05Z-FMSRA-UC005B	M12D04Z-FMSRA-UC005B
PUR外被 PUR Jacket	1m	M12A12Z-FMSRA-UP001B	M12A17Z-FMSRA-UP001B	M12B05Z-FMSRA-UP001B	M12D04Z-FMSRA-UP001B
	3m	M12A12Z-FMSRA-UP003B	M12A17Z-FMSRA-UP003B	M12B05Z-FMSRA-UP003B	M12D04Z-FMSRA-UP003B
	5m	M12A12Z-FMSRA-UP005B	M12A17Z-FMSRA-UP005B	M12B05Z-FMSRA-UP005B	M12D04Z-FMSRA-UP005B

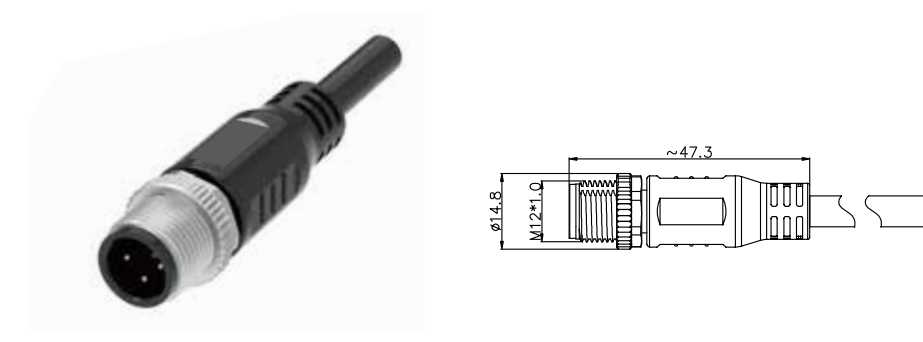


M12公直头, 预铸电缆, 屏蔽
M12 Male straight cable connector, moulded, shield

技术参数 Technical Parameter

芯数 Number of positions	3芯(pos)	4芯(pos)	5芯(pos)	8芯(pos)
接口编码类型 Interface code type	A-code	A-code	A-code	A-code
参照标准 Standards	IEC61076-2-101			
污染等级 Degree of pollution	3			
防护等级 Degree of protection	IP67			
连接方式 Connection method	预铸成型式(Moulded)			
是否屏蔽 Shielding	是(Yes)			
机械寿命 Mechanical life	100 (mate cycles)			
电气参数 Electrical parameter				
绝缘电阻 Insulation resistance	≥100 MΩ			
接触阻抗 Contact resistance	<10 mΩ			
额定电压 Rated voltage	250V	250V	60V	30V
额定电流 Rated current	4A	4A	4A	2A
材料参数 Materials parameter				
插针/表面材料 Contact/surface material	CuZn/Ni/Au			
插芯材料 Contact carrier material	TPU			
螺丝/螺母材料 Screw/nut material	Zinc			
密封材料 Sealing material	NBR			
工作温度 Ambient temperature operation				
-40°C ~ 85°C				

描述 Description		订货号 Order number			
PVC外被 PVC Jacket	1m	M12A03Z-MMSST-SC001B	M12A04Z-MMSST-SC001B	M12A05Z-MMSST-SC001B	M12A08Z-MMSST-SC001B
	3m	M12A03Z-MMSST-SC003B	M12A04Z-MMSST-SC003B	M12A05Z-MMSST-SC003B	M12A08Z-MMSST-SC003B
	5m	M12A03Z-MMSST-SC005B	M12A04Z-MMSST-SC005B	M12A05Z-MMSST-SC005B	M12A08Z-MMSST-SC005B
PUR外被 PUR Jacket	1m	M12A03Z-MMSST-SP001B	M12A04Z-MMSST-SP001B	M12A05Z-MMSST-SP001B	M12A08Z-MMSST-SP001B
	3m	M12A03Z-MMSST-SP003B	M12A04Z-MMSST-SP003B	M12A05Z-MMSST-SP003B	M12A08Z-MMSST-SP003B
	5m	M12A03Z-MMSST-SP005B	M12A04Z-MMSST-SP005B	M12A05Z-MMSST-SP005B	M12A08Z-MMSST-SP005B

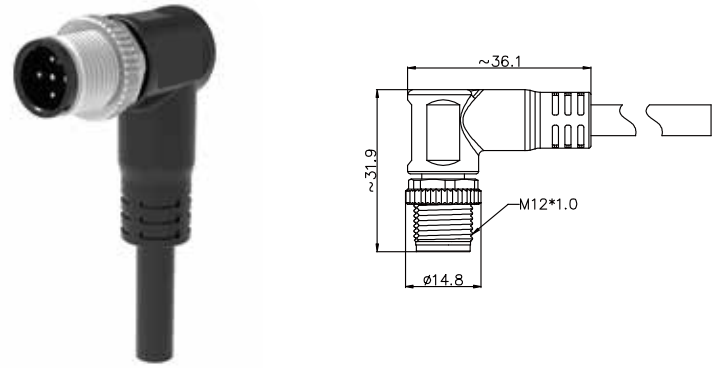


M12公直头, 预铸电缆, 屏蔽
M12 Male straight cable connector, moulded, shield

技术参数 Technical Parameter

芯数 Number of positions	12芯(pos)	17芯(pos)	5芯(pos)	4芯(pos)
接口编码类型 Interface code type	A-code	A-code	B-code	D-code
参照标准 Standards	IEC61076-2-101			
污染等级 Degree of pollution	3			
防护等级 Degree of protection	IP67			
连接方式 Connection method	预铸成型式(Moulded)			
是否屏蔽 Shielding	是(Yes)			
机械寿命 Mechanical life	100 (mate cycles)			
电气参数 Electrical parameter				
绝缘电阻 Insulation resistance	≥100 MΩ			
接触阻抗 Contact resistance	<10 mΩ			
额定电压 Rated voltage	30V	30V	60V	250V
额定电流 Rated current	1.5A	1.5A	4A	4A
材料参数 Materials parameter				
插针/表面材料 Contact/surface material	CuZn/Ni/Au			
插芯材料 Contact carrier material	TPU			
螺丝/螺母材料 Screw/nut material	Zinc			
密封材料 Sealing material	NBR			
工作温度 Ambient temperature operation				
-40°C ~ 85°C				

描述 Description		订货号 Order number			
PVC外被 PVC Jacket	1m	M12A12Z-MMSST-SC001B	M12A17Z-MMSST-SC001B	M12B05Z-MMSST-SC001B	M12D04Z-MMSST-SC001B
	3m	M12A12Z-MMSST-SC003B	M12A17Z-MMSST-SC003B	M12B05Z-MMSST-SC003B	M12D04Z-MMSST-SC003B
	5m	M12A12Z-MMSST-SC005B	M12A17Z-MMSST-SC005B	M12B05Z-MMSST-SC005B	M12D04Z-MMSST-SC005B
PUR外被 PUR Jacket	1m	M12A12Z-MMSST-SP001B	M12A17Z-MMSST-SP001B	M12B05Z-MMSST-SP001B	M12D04Z-MMSST-SP001B
	3m	M12A12Z-MMSST-SP003B	M12A17Z-MMSST-SP003B	M12B05Z-MMSST-SP003B	M12D04Z-MMSST-SP003B
	5m	M12A12Z-MMSST-SP005B	M12A17Z-MMSST-SP005B	M12B05Z-MMSST-SP005B	M12D04Z-MMSST-SP005B

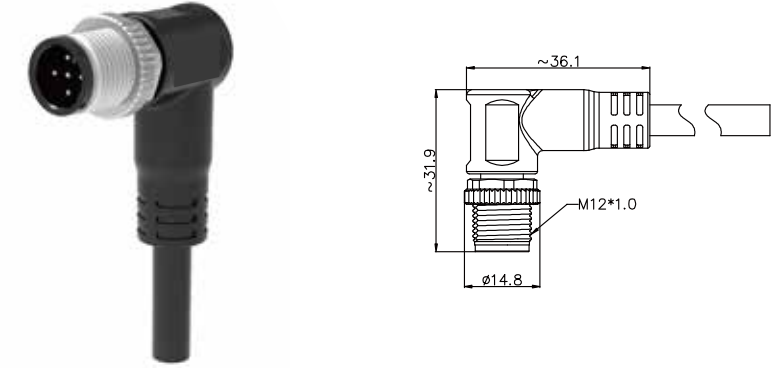


M12公弯头, 预铸电缆, 屏蔽
M12 Male angled cable connector, moulded, shield

技术参数 Technical Parameter

芯数 Number of positions	3芯(pos)	4芯(pos)	5芯(pos)	8芯(pos)
	A-code	A-code	A-code	A-code
接口编码类型 Interface code type				
参照标准 Standards	IEC61076-2-101			
污染等级 Degree of pollution	3			
防护等级 Degree of protection	IP67			
连接方式 Connection method	预铸成型式(Moulded)			
是否屏蔽 Shielding	是(Yes)			
机械寿命 Mechanical life	100 (mate cycles)			
电气参数 Electrical parameter				
绝缘电阻 Insulation resistance	≥100 MΩ			
接触阻抗 Contact resistance	<10 mΩ			
额定电压 Rated voltage	250V	250V	60V	30V
额定电流 Rated current	4A	4A	4A	2A
材料参数 Materials parameter				
插针/表面材料 Contact/surface material	CuZn/Ni/Au			
插芯材料 Contact carrier material	TPU			
螺丝/螺母材料 Screw/nut material	Zinc			
密封材料 Sealing material	NBR			
工作温度 Ambient temperature operation				
-40°C ~ 85°C				

描述 Description		订货号 Order number			
PVC外被 PVC Jacket	1m	M12A03Z-MMSRA-SC001B	M12A04Z-MMSRA-SC001B	M12A05Z-MMSRA-SC001B	M12A08Z-MMSRA-SC001B
	3m	M12A03Z-MMSRA-SC003B	M12A04Z-MMSRA-SC003B	M12A05Z-MMSRA-SC003B	M12A08Z-MMSRA-SC003B
	5m	M12A03Z-MMSRA-SC005B	M12A04Z-MMSRA-SC005B	M12A05Z-MMSRA-SC005B	M12A08Z-MMSRA-SC005B
PUR外被 PUR Jacket	1m	M12A03Z-MMSRA-SP001B	M12A04Z-MMSRA-SP001B	M12A05Z-MMSRA-SP001B	M12A08Z-MMSRA-SP001B
	3m	M12A03Z-MMSRA-SP003B	M12A04Z-MMSRA-SP003B	M12A05Z-MMSRA-SP003B	M12A08Z-MMSRA-SP003B
	5m	M12A03Z-MMSRA-SP005B	M12A04Z-MMSRA-SP005B	M12A05Z-MMSRA-SP005B	M12A08Z-MMSRA-SP005B

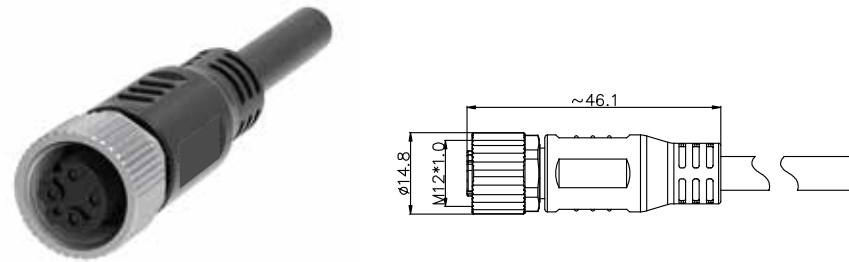


M12公弯头, 预铸电缆, 屏蔽
M12 Male angled cable connector, moulded, shield

技术参数 Technical Parameter

芯数 Number of positions	12芯(pos)	17芯(pos)	5芯(pos)	4芯(pos)
	A-code	A-code	B-code	D-code
接口编码类型 Interface code type				
参照标准 Standards	IEC61076-2-101			
污染等级 Degree of pollution	3			
防护等级 Degree of protection	IP67			
连接方式 Connection method	预铸成型式(Moulded)			
是否屏蔽 Shielding	是(Yes)			
机械寿命 Mechanical life	100 (mate cycles)			
电气参数 Electrical parameter				
绝缘电阻 Insulation resistance	≥100 MΩ			
接触阻抗 Contact resistance	<10 mΩ			
额定电压 Rated voltage	30V	30V	60V	250V
额定电流 Rated current	1.5A	1.5A	4A	4A
材料参数 Materials parameter				
插针/表面材料 Contact/surface material	CuZn/Ni/Au			
插芯材料 Contact carrier material	TPU			
螺丝/螺母材料 Screw/nut material	Zinc			
密封材料 Sealing material	NBR			
工作温度 Ambient temperature operation				
-40°C ~ 85°C				

描述 Description		订货号 Order number			
PVC外被 PVC Jacket	1m	M12A12Z-MMSRA-SC001B	M12A17Z-MMSRA-SC001B	M12B05Z-MMSRA-SC001B	M12D04Z-MMSRA-SC001B
	3m	M12A12Z-MMSRA-SC003B	M12A17Z-MMSRA-SC003B	M12B05Z-MMSRA-SC003B	M12D04Z-MMSRA-SC003B
	5m	M12A12Z-MMSRA-SC005B	M12A17Z-MMSRA-SC005B	M12B05Z-MMSRA-SC005B	M12D04Z-MMSRA-SC005B
PUR外被 PUR Jacket	1m	M12A12Z-MMSRA-SP001B	M12A17Z-MMSRA-SP001B	M12B05Z-MMSRA-SP001B	M12D04Z-MMSRA-SP001B
	3m	M12A12Z-MMSRA-SP003B	M12A17Z-MMSRA-SP003B	M12B05Z-MMSRA-SP003B	M12D04Z-MMSRA-SP003B
	5m	M12A12Z-MMSRA-SP005B	M12A17Z-MMSRA-SP005B	M12B05Z-MMSRA-SP005B	M12D04Z-MMSRA-SP005B



M12母直头, 预铸电缆, 屏蔽
M12 Female straight cable connector, moulded, shield

技术参数 Technical Parameter

芯数 Number of positions	3芯(pos)	4芯(pos)	5芯(pos)	8芯(pos)
	A-code	A-code	A-code	A-code
接口编码类型 Interface code type				
参照标准 Standards	IEC61076-2-101			
污染等级 Degree of pollution	3			
防护等级 Degree of protection	IP67			
连接方式 Connection method	预铸成型式(Moulded)			
是否屏蔽 Shielding	是(Yes)			
机械寿命 Mechanical life	100 (mate cycles)			

电气参数 Electrical parameter

绝缘电阻 Insulation resistance	≥100 MΩ			
接触阻抗 Contact resistance	<10 mΩ			
额定电压 Rated voltage	250V	250V	60V	30V
额定电流 Rated current	4A	4A	4A	2A

材料参数 Materials parameter

插针/表面材料 Contact/surface material	CuSn/Ni/Au			
插芯材料 Contact carrier material	TPU			
螺丝/螺母材料 Screw/nut material	Zinc			
密封材料 Sealing material	NBR			

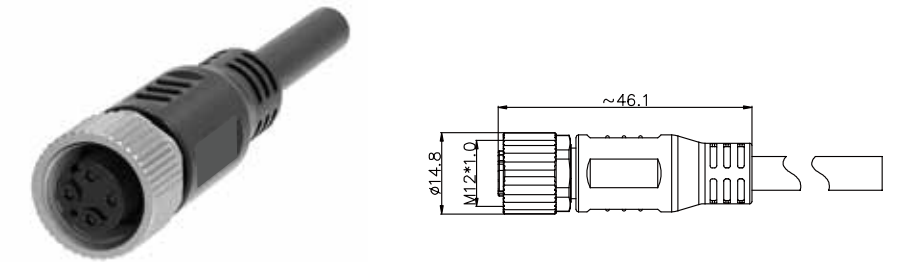
工作温度 Ambient temperature operation

-40°C ~ 85°C

描述 Description

订货号 Order number

PVC外被 PVC Jacket	1m	M12A03Z-FMSST-SC001B	M12A04Z-FMSST-SC001B	M12A05Z-FMSST-SC001B	M12A08Z-FMSST-SC001B
	3m	M12A03Z-FMSST-SC003B	M12A04Z-FMSST-SC003B	M12A05Z-FMSST-SC003B	M12A08Z-FMSST-SC003B
	5m	M12A03Z-FMSST-SC005B	M12A04Z-FMSST-SC005B	M12A05Z-FMSST-SC005B	M12A08Z-FMSST-SC005B
PUR外被 PUR Jacket	1m	M12A03Z-FMSST-SP001B	M12A04Z-FMSST-SP001B	M12A05Z-FMSST-SP001B	M12A08Z-FMSST-SP001B
	3m	M12A03Z-FMSST-SP003B	M12A04Z-FMSST-SP003B	M12A05Z-FMSST-SP003B	M12A08Z-FMSST-SP003B
	5m	M12A03Z-FMSST-SP005B	M12A04Z-FMSST-SP005B	M12A05Z-FMSST-SP005B	M12A08Z-FMSST-SP005B



M12母直头, 预铸电缆, 屏蔽
M12 Female straight cable connector, moulded, shield

技术参数 Technical Parameter

芯数 Number of positions	12芯(pos)	17芯(pos)	5芯(pos)	4芯(pos)
	A-code	A-code	B-code	D-code
接口编码类型 Interface code type				
参照标准 Standards	IEC61076-2-101			
污染等级 Degree of pollution	3			
防护等级 Degree of protection	IP67			
连接方式 Connection method	预铸成型式(Moulded)			
是否屏蔽 Shielding	是(Yes)			
机械寿命 Mechanical life	100 (mate cycles)			

电气参数 Electrical parameter

绝缘电阻 Insulation resistance	≥100 MΩ			
接触阻抗 Contact resistance	<10 mΩ			
额定电压 Rated voltage	30V	30V	60V	250V
额定电流 Rated current	1.5A	1.5A	4A	4A

材料参数 Materials parameter

插针/表面材料 Contact/surface material	CuSn/Ni/Au			
插芯材料 Contact carrier material	TPU			
螺丝/螺母材料 Screw/nut material	Zinc			
密封材料 Sealing material	NBR			

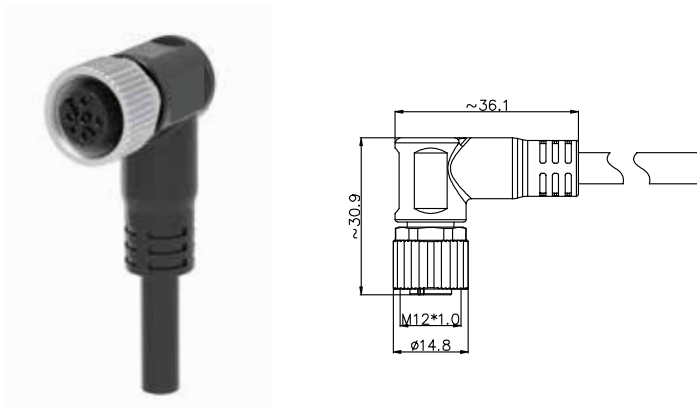
工作温度 Ambient temperature operation

-40°C ~ 85°C

描述 Description

订货号 Order number

PVC外被 PVC Jacket	1m	M12A12Z-FMSST-SC001B	M12A17Z-FMSST-SC001B	M12A17Z-FMSST-SC001B	M12D04Z-FMSST-SC001B
	3m	M12A12Z-FMSST-SC003B	M12A17Z-FMSST-SC003B	M12A17Z-FMSST-SC003B	M12D04Z-FMSST-SC003B
	5m	M12A12Z-FMSST-SC005B	M12A17Z-FMSST-SC005B	M12A17Z-FMSST-SC005B	M12D04Z-FMSST-SC005B
PUR外被 PUR Jacket	1m	M12A12Z-FMSST-SP001B	M12A17Z-FMSST-SP001B	M12A17Z-FMSST-SP001B	M12D04Z-FMSST-SP001B
	3m	M12A12Z-FMSST-SP003B	M12A17Z-FMSST-SP003B	M12A17Z-FMSST-SP003B	M12D04Z-FMSST-SP003B
	5m	M12A12Z-FMSST-SP005B	M12A17Z-FMSST-SP005B	M12A17Z-FMSST-SP005B	M12D04Z-FMSST-SP005B

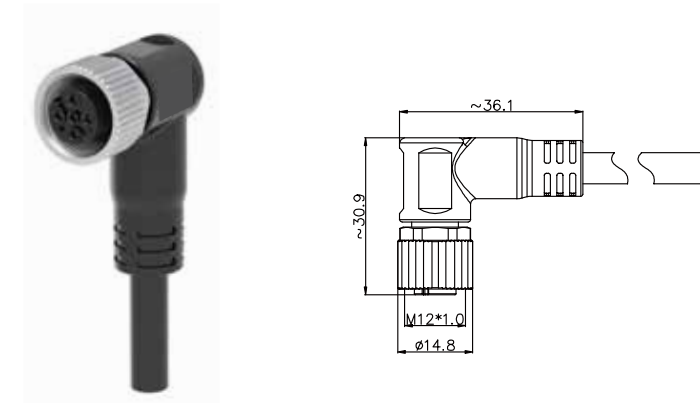


M12母弯头, 预铸电缆, 屏蔽
M12 Female angled cable connector, moulded, shield

技术参数 Technical Parameter

芯数 Number of positions	3芯(pos)	4芯(pos)	5芯(pos)	8芯(pos)
	A-code	A-code	A-code	A-code
接口编码类型 Interface code type				
参照标准 Standards	IEC61076-2-101			
污染等级 Degree of pollution	3			
防护等级 Degree of protection	IP67			
连接方式 Connection method	预铸成型式(Moulded)			
是否屏蔽 Shielding	是(Yes)			
机械寿命 Mechanical life	100 (mate cycles)			
电气参数 Electrical parameter				
绝缘电阻 Insulation resistance	≥100 MΩ			
接触阻抗 Contact resistance	<10 mΩ			
额定电压 Rated voltage	250V	250V	60V	30V
额定电流 Rated current	4A	4A	4A	2A
材料参数 Materials parameter				
插针/表面材料 Contact/surface material	CuSn/Ni/Au			
插芯材料 Contact carrier material	TPU			
螺丝/螺母材料 Screw/nut material	Zinc			
密封材料 Sealing material	NBR			
工作温度 Ambient temperature operation				
-40°C ~ 85°C				

描述 Description		订货号 Order number			
PVC外被 PVC Jacket	1m	M12A03Z-FMSRA-SC001B	M12A04Z-FMSRA-SC001B	M12A05Z-FMSRA-SC001B	M12A08Z-FMSRA-SC001B
	3m	M12A03Z-FMSRA-SC003B	M12A04Z-FMSRA-SC003B	M12A05Z-FMSRA-SC003B	M12A08Z-FMSRA-SC003B
	5m	M12A03Z-FMSRA-SC005B	M12A04Z-FMSRA-SC005B	M12A05Z-FMSRA-SC005B	M12A08Z-FMSRA-SC005B
PUR外被 PUR Jacket	1m	M12A03Z-FMSRA-SP001B	M12A04Z-FMSRA-SP001B	M12A05Z-FMSRA-SP001B	M12A08Z-FMSRA-SP001B
	3m	M12A03Z-FMSRA-SP003B	M12A04Z-FMSRA-SP003B	M12A05Z-FMSRA-SP003B	M12A08Z-FMSRA-SP003B
	5m	M12A03Z-FMSRA-SP005B	M12A04Z-FMSRA-SP005B	M12A05Z-FMSRA-SP005B	M12A08Z-FMSRA-SP005B

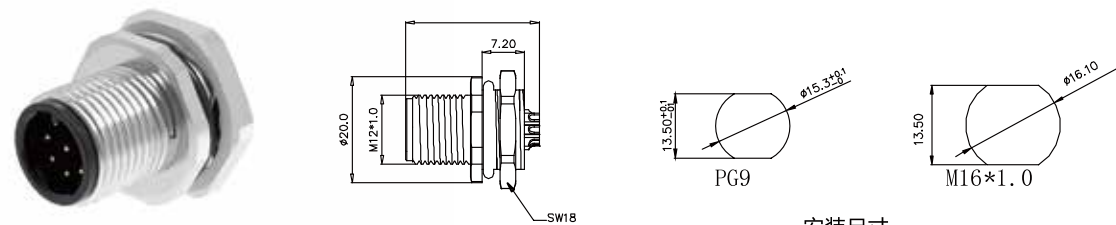


M12母弯头, 预铸电缆, 屏蔽
M12 Female angled cable connector, moulded, shield

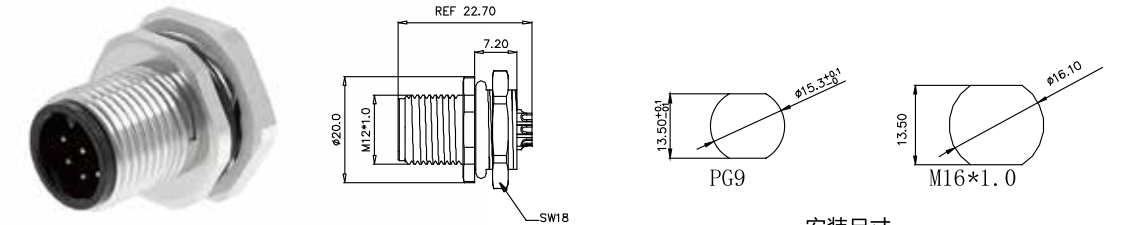
技术参数 Technical Parameter

芯数 Number of positions	12芯(pos)	17芯(pos)	5芯(pos)	4芯(pos)
	A-code	A-code	B-code	D-code
接口编码类型 Interface code type				
参照标准 Standards	IEC61076-2-101			
污染等级 Degree of pollution	3			
防护等级 Degree of protection	IP67			
连接方式 Connection method	预铸成型式(Moulded)			
是否屏蔽 Shielding	是(Yes)			
机械寿命 Mechanical life	100 (mate cycles)			
电气参数 Electrical parameter				
绝缘电阻 Insulation resistance	≥100 MΩ			
接触阻抗 Contact resistance	<10 mΩ			
额定电压 Rated voltage	30V	30V	60V	250V
额定电流 Rated current	1.5A	1.5A	4A	4A
材料参数 Materials parameter				
插针/表面材料 Contact/surface material	CuSn/Ni/Au			
插芯材料 Contact carrier material	TPU			
螺丝/螺母材料 Screw/nut material	Zinc			
密封材料 Sealing material	NBR			
工作温度 Ambient temperature operation				
-40°C ~ 85°C				

描述 Description		订货号 Order number			
PVC外被 PVC Jacket	1m	M12A12Z-FMSRA-SC001B	M12A17Z-FMSRA-SC001B	M12B05Z-FMSRA-SC001B	M12D04Z-FMSRA-SC001B
	3m	M12A12Z-FMSRA-SC003B	M12A17Z-FMSRA-SC003B	M12B05Z-FMSRA-SC003B	M12D04Z-FMSRA-SC003B
	5m	M12A12Z-FMSRA-SC005B	M12A17Z-FMSRA-SC005B	M12B05Z-FMSRA-SC005B	M12D04Z-FMSRA-SC005B
PUR外被 PUR Jacket	1m	M12A12Z-FMSRA-SP001B	M12A17Z-FMSRA-SP001B	M12B05Z-FMSRA-SP001B	M12D04Z-FMSRA-SP001B
	3m	M12A12Z-FMSRA-SP003B	M12A17Z-FMSRA-SP003B	M12B05Z-FMSRA-SP003B	M12D04Z-FMSRA-SP003B
	5m	M12A12Z-FMSRA-SP005B	M12A17Z-FMSRA-SP005B	M12B05Z-FMSRA-SP005B	M12D04Z-FMSRA-SP005B



安装尺寸
Installation dimension



安装尺寸
Installation dimension

M12公头, 面板式连接器, 板前安装(锁板螺母可选), 焊杯式
M12 Male panel mount connector, front mounting (panel nut optional), solder cup

技术参数 Technical Parameter

芯数 Number of positions	3芯(pos)	4芯(pos)	5芯(pos)	8芯(pos)
	A-code	A-code	A-code	A-code
接口编码类型 Interface code type				
参照标准 Standards	IEC61076-2-101			
污染等级 Degree of pollution	3			
防护等级 Degree of protection	IP67			
连接方式 Connection method	焊杯式(solder cup)			
是否屏蔽 Shielding	否(No)			
机械寿命 Mechanical life	100 (mate cycles)			

电气参数 Electrical parameter

绝缘电阻 Insulation resistance	≥100 MΩ			
接触阻抗 Contact resistance	<10 mΩ			
额定电压 Rated voltage	250V	250V	60V	30V
额定电流 Rated current	4A	4A	4A	2A

材料参数 Materials parameter

插针/表面材料 Contact/surface material	CuZn/Ni/Au			
插芯材料 Contact carrier material	PA			
螺丝/螺母材料 Screw/nut material	CuZn			
密封材料 Sealing material	NBR			

工作温度 Ambient temperature operation

-40°C ~ 85°C

描述 Description

订货号 Order number

PG9	M12A03C-MPSFHUS	M12A04C-MPSFHUS	M12A05C-MPSFHUS	M12A08C-MPSFHUS
M16*1-5	M12A03C-MPSFHUR	M12A04C-MPSFHUR	M12A05C-MPSFHUR	M12A08C-MPSFHUR
—				
—				
—				
—				

M12公头, 面板式连接器, 板前安装(锁板螺母可选), 焊杯式
M12 Male panel mount connector, front mounting (panel nut optional), solder cup

技术参数 Technical Parameter

芯数 Number of positions	12芯(pos)	17芯(pos)	5芯(pos)	4芯(pos)
	A-code	A-code	B-code	D-code
接口编码类型 Interface code type				
参照标准 Standards	IEC61076-2-101			
污染等级 Degree of pollution	3			
防护等级 Degree of protection	IP67			
连接方式 Connection method	焊杯式(solder cup)			
是否屏蔽 Shielding	否(No)			
机械寿命 Mechanical life	100 (mate cycles)			

电气参数 Electrical parameter

绝缘电阻 Insulation resistance	≥100 MΩ			
接触阻抗 Contact resistance	<10 mΩ			
额定电压 Rated voltage	30V	30V	60V	250V
额定电流 Rated current	1.5A	1.5A	4A	4A

材料参数 Materials parameter

插针/表面材料 Contact/surface material	CuZn/Ni/Au			
插芯材料 Contact carrier material	PA			
螺丝/螺母材料 Screw/nut material	CuZn			
密封材料 Sealing material	NBR			

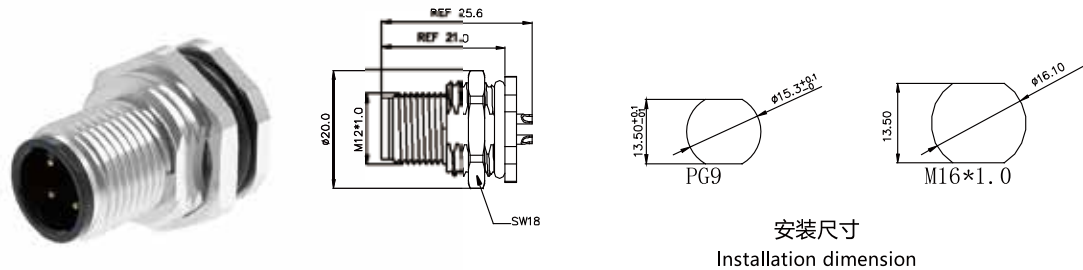
工作温度 Ambient temperature operation

-40°C ~ 85°C

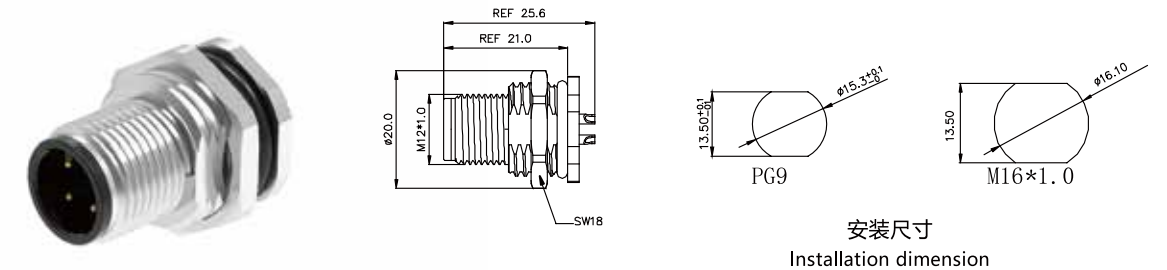
描述 Description

订货号 Order number

PG9	M12A12C-MPSFHUS	M12A17C-MPSFHUS	M12B05C-MPSFHUS	M12D04C-MPSFHUS
M16*1-5	M12A12C-MPSFHUR	M12A17C-MPSFHUR	M12B05C-MPSFHUR	M12D04C-MPSFHUR
—				
—				
—				
—				



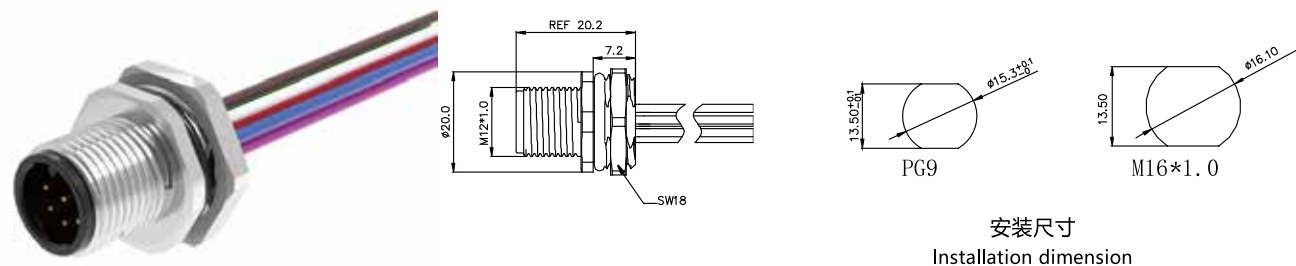
安装尺寸
Installation dimension



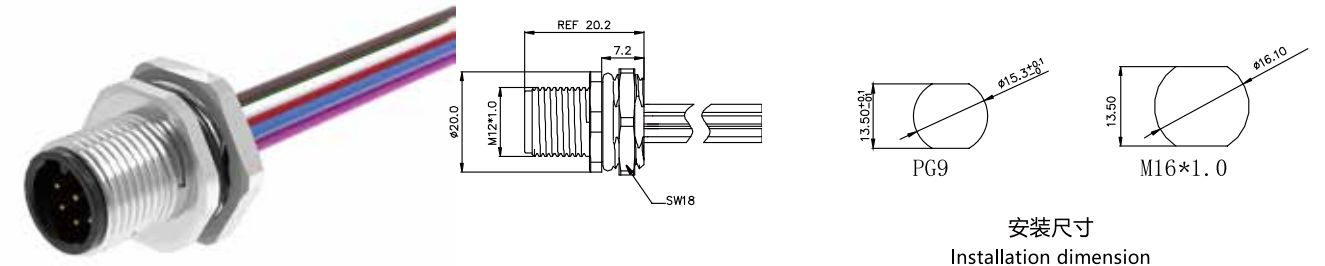
安装尺寸
Installation dimension

M12公头, 面板式连接器, 板后安装(锁板螺母可选), 焊杯式 M12 Male panel mount connector, (panel nut optional) rear mounting, solder cup				
技术参数 Technical Parameter				
芯数 Number of positions	3芯(pos)	4芯(pos)	5芯(pos)	8芯(pos)
接口编码类型 Interface code type	A-code	A-code	A-code	A-code
参照标准 Standards	IEC61076-2-101			
污染等级 Degree of pollution	3			
防护等级 Degree of protection	IP67			
连接方式 Connection method	焊杯式(solder cup)			
是否屏蔽 Shielding	否(No)			
机械寿命 Mechanical life	100 (mate cycles)			
电气参数 Electrical parameter				
绝缘电阻 Insulation resistance	≥100 MΩ			
接触阻抗 Contact resistance	<10 mΩ			
额定电压 Rated voltage	250V	250V	60V	30V
额定电流 Rated current	4A	4A	4A	2A
材料参数 Materials parameter				
插针/表面材料 Contact/surface material	CuZn/Ni/Au			
插芯材料 Contact carrier material	PA			
螺丝/螺母材料 Screw/nut material	CuZn			
密封材料 Sealing material	NBR			
工作温度 Ambient temperature operation				
-40°C ~ 85°C				
描述 Description	订货号 Order number			
PG9	M12A03C-MPSRHUS	M12A04C-MPSRHUS	M12A05C-MPSRHUS	M12A08C-MPSRHUS
M16*1-5	M12A03C-MPSRHUR	M12A04C-MPSRHUR	M12A05C-MPSRHUR	M12A08C-MPSRHUR
—				
—				
—				
—				

M12公头, 面板式连接器, 板后安装(锁板螺母可选), 焊杯式 M12 Male panel mount connector, (panel nut optional) rear mounting, solder cup				
技术参数 Technical Parameter				
芯数 Number of positions	12芯(pos)	17芯(pos)	5芯(pos)	4芯(pos)
接口编码类型 Interface code type	A-code	A-code	B-code	D-code
参照标准 Standards	IEC61076-2-101			
污染等级 Degree of pollution	3			
防护等级 Degree of protection	IP67			
连接方式 Connection method	焊杯式(solder cup)			
是否屏蔽 Shielding	否(No)			
机械寿命 Mechanical life	100 (mate cycles)			
电气参数 Electrical parameter				
绝缘电阻 Insulation resistance	≥100 MΩ			
接触阻抗 Contact resistance	<10 mΩ			
额定电压 Rated voltage	30V	30V	60V	250V
额定电流 Rated current	1.5A	1.5A	4A	4A
材料参数 Materials parameter				
插针/表面材料 Contact/surface material	CuZn/Ni/Au			
插芯材料 Contact carrier material	PA			
螺丝/螺母材料 Screw/nut material	CuZn			
密封材料 Sealing material	NBR			
工作温度 Ambient temperature operation				
-40°C ~ 85°C				
描述 Description	订货号 Order number			
PG9	M12A12C-MPSRHUS	M12A17C-MPSRHUS	M12B05C-MPSRHUS	M12D04C-MPSRHUS
M16*1-5	M12A12C-MPSRHUR	M12A17C-MPSRHUR	M12B05C-MPSRHUR	M12D04C-MPSRHUR
—				
—				
—				
—				



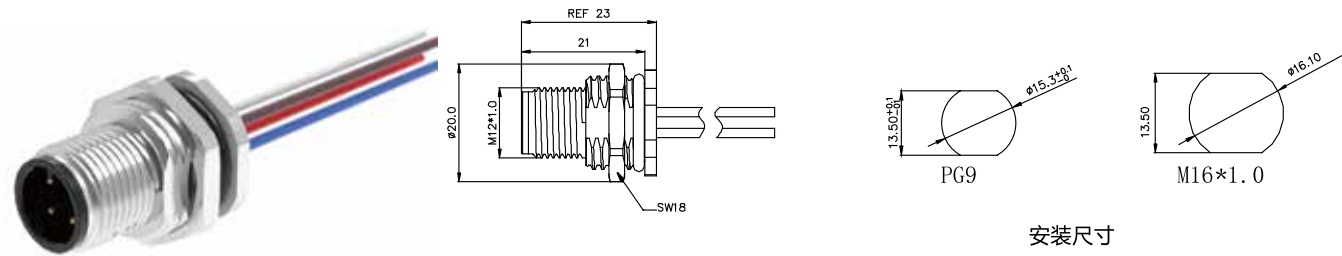
安装尺寸
Installation dimension



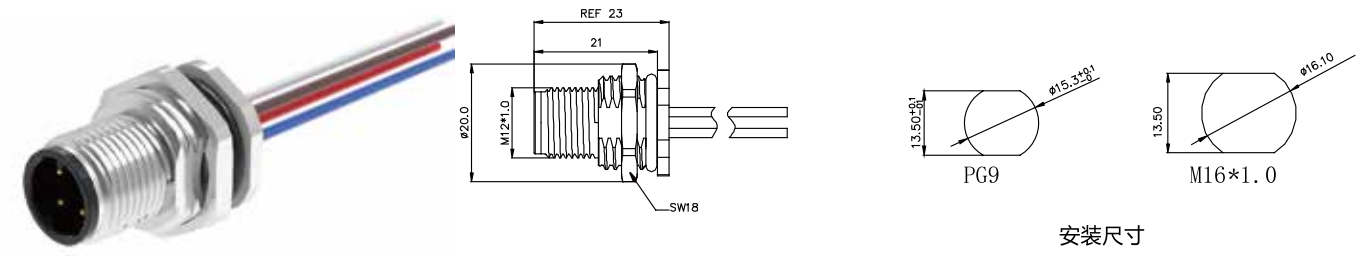
安装尺寸
Installation dimension

M12公头, 面板式连接器, 板前安装(锁板螺母可选), 带0.5米电子线 M12 Male panel mount connector, front mounting(panel nut optional), with 0.5m wires				
技术参数 Technical Parameter				
芯数 Number of positions	3芯(pos)	4芯(pos)	5芯(pos)	8芯(pos)
接口编码类型 Interface code type	A-code	A-code	A-code	A-code
参照标准 Standards	IEC61076-2-101			
污染等级 Degree of pollution	3			
防护等级 Degree of protection	IP67			
安装方式 Mounting type	板前安装M12*0.5(Front mounting M12*0.5)			
是否屏蔽 Shielding	否(No)			
机械寿命 Mechanical life	100 (mate cycles)			
电气参数 Electrical parameter				
绝缘电阻 Insulation resistance	≥100 MΩ			
接触阻抗 Contact resistance	<10 mΩ			
额定电压 Rated voltage	250V	250V	60V	30V
额定电流 Rated current	4A	4A	4A	2A
材料参数 Materials parameter				
插针/表面材料 Contact/surface material	CuZn/Ni/Au			
插芯材料 Contact carrier material	PA			
螺丝/螺母材料 Screw/nut material	CuZn			
密封材料 Sealing material	NBR			
工作温度 Ambient temperature operation				
-40°C ~ 85°C				
描述 Description				
PG9	M12A03C-MFHS-UC0.5	M12A04C-MFHS-UC0.5	M12A05C-MFHS-UC0.5	M12A08C-MFHS-UC0.5
M16*1.5	M12A03C-MFHR-UC0.5	M12A04C-MFHR-UC0.5	M12A05C-MFHR-UC0.5	M12A08C-MFHR-UC0.5
—				
—				
—				
—				

M12公头, 面板式连接器, 板前安装(锁板螺母可选), 带0.5米电子线 M12 Male panel mount connector, front mounting(panel nut optional), with 0.5m wires				
技术参数 Technical Parameter				
芯数 Number of positions	12芯(pos)	17芯(pos)	5芯(pos)	4芯(pos)
接口编码类型 Interface code type	A-code	A-code	B-code	D-code
参照标准 Standards	IEC61076-2-101			
污染等级 Degree of pollution	3			
防护等级 Degree of protection	IP67			
安装方式 Mounting type	板前安装M12*0.5(Front mounting M12*0.5)			
是否屏蔽 Shielding	否(No)			
机械寿命 Mechanical life	100 (mate cycles)			
电气参数 Electrical parameter				
绝缘电阻 Insulation resistance	≥100 MΩ			
接触阻抗 Contact resistance	<10 mΩ			
额定电压 Rated voltage	30V	30V	60V	250V
额定电流 Rated current	1.5A	1.5A	4A	4A
材料参数 Materials parameter				
插针/表面材料 Contact/surface material	CuZn/Ni/Au			
插芯材料 Contact carrier material	PA			
螺丝/螺母材料 Screw/nut material	CuZn			
密封材料 Sealing material	NBR			
工作温度 Ambient temperature operation				
-40°C ~ 85°C				
描述 Description				
PG9	M12A12C-MFHS-UC0.5	M12A17C-MFHS-UC0.5	M12B05C-MFHS-UC0.5	M12D04C-MFHS-UC0.5
M16*1.5	M12A12C-MFHR-UC0.5	M12A17C-MFHR-UC0.5	M12B05C-MFHR-UC0.5	M12D04C-MFHR-UC0.5
—				
—				
—				
—				



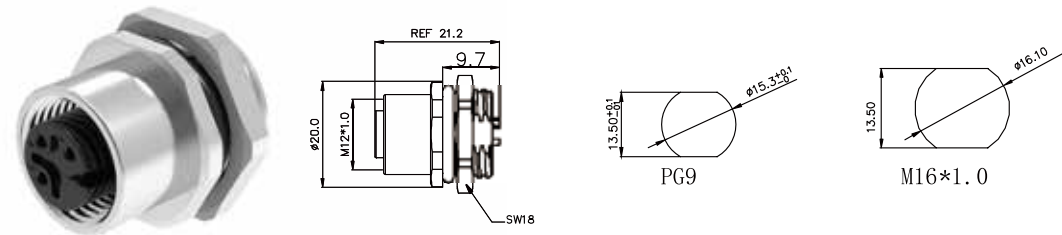
安装尺寸
Installation dimension



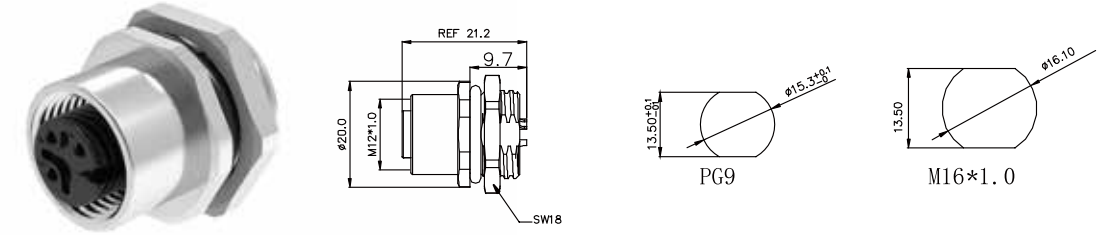
安装尺寸
Installation dimension

M12公头, 面板式连接器, 板后安装(锁板螺母可选), 带0.5米电子线 M12 Male panel mount connector, (panel nut optional)rear mounting, with 0.5m wires				
技术参数 Technical Parameter				
芯数 Number of positions	3芯(pos)	4芯(pos)	5芯(pos)	8芯(pos)
接口编码类型 Interface code type	A-code	A-code	A-code	A-code
参照标准 Standards	IEC61076-2-101			
污染等级 Degree of pollution	3			
防护等级 Degree of protection	IP67			
安装方式 Mounting type	板后安装(Rear mounting)			
是否屏蔽 Shielding	否(No)			
机械寿命 Mechanical life	100 (mate cycles)			
电气参数 Electrical parameter				
绝缘电阻 Insulation resistance	≥100 MΩ			
接触阻抗 Contact resistance	<10 mΩ			
额定电压 Rated voltage	250V	250V	60V	30V
额定电流 Rated current	4A	4A	4A	2A
材料参数 Materials parameter				
插针/表面材料 Contact/surface material	CuZn/Ni/Au			
插芯材料 Contact carrier material	PA			
螺丝/螺母材料 Screw/nut material	CuZn			
密封材料 Sealing material	NBR			
工作温度 Ambient temperature operation				
-40°C ~ 85°C				
描述 Description				
PG9	M12A03C-MRHS-UC0.5	M12A04C-MRHS-UC0.5	M12A05C-MRHS-UC0.5	M12A08C-MRHS-UC0.5
M16*1.5	M12A03C-MRHR-UC0.5	M12A04C-MRHR-UC0.5	M12A05C-MRHR-UC0.5	M12A08C-MRHR-UC0.5
—				
—				
—				
—				

M12公头, 面板式连接器, 板后安装(锁板螺母可选), 带0.5米电子线 M12 Male panel mount connector, (panel nut optional)rear mounting, with 0.5m wires				
技术参数 Technical Parameter				
芯数 Number of positions	12芯(pos)	17芯(pos)	5芯(pos)	4芯(pos)
接口编码类型 Interface code type	A-code	A-code	B-code	D-code
参照标准 Standards	IEC61076-2-101			
污染等级 Degree of pollution	3			
防护等级 Degree of protection	IP67			
安装方式 Mounting type	板后安装(Rear mounting)			
是否屏蔽 Shielding	否(No)			
机械寿命 Mechanical life	100 (mate cycles)			
电气参数 Electrical parameter				
绝缘电阻 Insulation resistance	≥100 MΩ			
接触阻抗 Contact resistance	<10 mΩ			
额定电压 Rated voltage	30V	30V	60V	250V
额定电流 Rated current	1.5A	1.5A	4A	4A
材料参数 Materials parameter				
插针/表面材料 Contact/surface material	CuZn/Ni/Au			
插芯材料 Contact carrier material	PA			
螺丝/螺母材料 Screw/nut material	CuZn			
密封材料 Sealing material	NBR			
工作温度 Ambient temperature operation				
-40°C ~ 85°C				
描述 Description				
PG9	M12A12C-MRHS-UC0.5	M12A17C-MRHS-UC0.5	M12B05C-MRHS-UC0.5	M12D04C-MRHS-UC0.5
M16*1.5	M12A12C-MRHR-UC0.5	M12A17C-MRHR-UC0.5	M12B05C-MRHR-UC0.5	M12D04C-MRHR-UC0.5
—				
—				
—				
—				



安装尺寸
Installation dimension



安装尺寸
Installation dimension

M12母头, 面板式连接器, 板前安装(锁板螺母可选), 焊杯式
M12 Female panel mount connector, front mounting (panel nut optional), solder cup

技术参数 Technical Parameter

芯数 Number of positions	3芯(pos)	4芯(pos)	5芯(pos)	8芯(pos)
接口编码类型 Interface code type	A-code	A-code	A-code	A-code
参照标准 Standards	IEC61076-2-101			
污染等级 Degree of pollution	3			
防护等级 Degree of protection	IP67			
连接方式 Connection method	焊杯式(solder cup)			
是否屏蔽 Shielding	否(No)			
机械寿命 Mechanical life	100 (mate cycles)			

电气参数 Electrical parameter

绝缘电阻 Insulation resistance	≥100 MΩ			
接触阻抗 Contact resistance	<10 mΩ			
额定电压 Rated voltage	250V	250V	60V	30V
额定电流 Rated current	4A	4A	4A	2A

材料参数 Materials parameter

插针/表面材料 Contact/surface material	CuSn/Ni/Au			
插芯材料 Contact carrier material	PA			
螺丝/螺母材料 Screw/nut material	CuSn			
密封材料 Sealing material	NBR			

工作温度 Ambient temperature operation

-40°C ~ 85°C

描述 Description

订货号 Order number

PG9	M12A03C-FPSFHUS	M12A04C-FPSFHUS	M12A05C-FPSFHUS	M12A08C-FPSFHUS
M16*1.5	M12A03C-FPSFHUR	M12A04C-FPSFHUR	M12A05C-MPSFHUR	M12A08C-FPSFHUR
—				
—				
—				
—				

M12母头, 面板式连接器, 板前安装(锁板螺母可选), 焊杯式
M12 Female panel mount connector, front mounting (panel nut optional), solder cup

技术参数 Technical Parameter

芯数 Number of positions	12芯(pos)	17芯(pos)	5芯(pos)	4芯(pos)
接口编码类型 Interface code type	A-code	A-code	B-code	D-code
参照标准 Standards	IEC61076-2-101			
污染等级 Degree of pollution	3			
防护等级 Degree of protection	IP67			
连接方式 Connection method	焊杯式(solder cup)			
是否屏蔽 Shielding	否(No)			
机械寿命 Mechanical life	100 (mate cycles)			

电气参数 Electrical parameter

绝缘电阻 Insulation resistance	≥100 MΩ			
接触阻抗 Contact resistance	<10 mΩ			
额定电压 Rated voltage	30V	30V	60V	250V
额定电流 Rated current	1.5A	1.5A	4A	4A

材料参数 Materials parameter

插针/表面材料 Contact/surface material	CuSn/Ni/Au			
插芯材料 Contact carrier material	PA			
螺丝/螺母材料 Screw/nut material	CuZn			
密封材料 Sealing material	NBR			

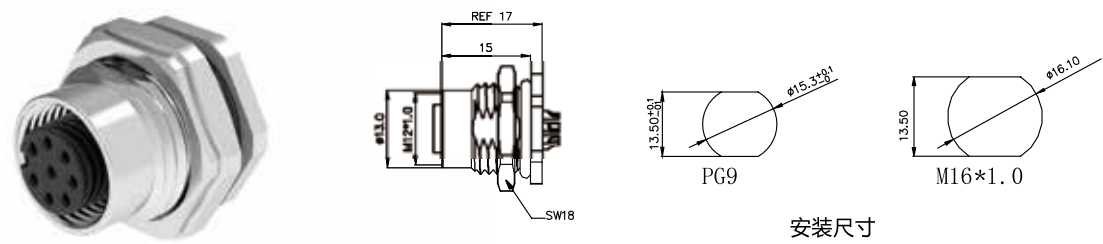
工作温度 Ambient temperature operation

-40°C ~ 85°C

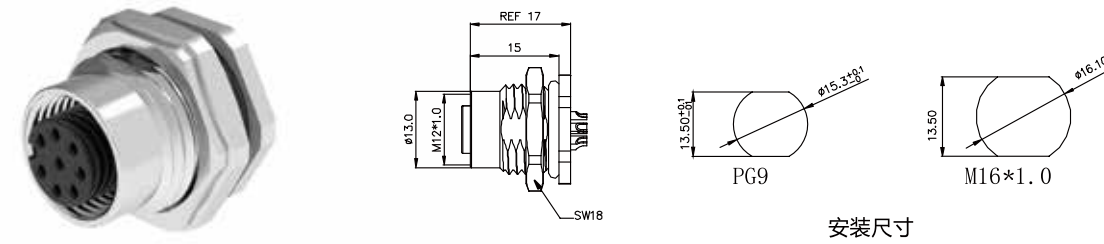
描述 Description

订货号 Order number

PG9	M12A12C-FPSFHUS	M12A17C-FPSFHUS	M12B05C-FPSFHUS	M12D04C-FPSFHUS
M16*1.5	M12A12C-FPSFHUR	M12A17C-FPSFHUR	M12B05C-FPSFHUR	M12D04C-FPSFHUR
—				
—				
—				
—				



安装尺寸
Installation dimension



安装尺寸
Installation dimension

M12母头,面板式连接器,板后安装(锁板螺母可选),焊杯式
M12 Male panel mount connector,f(panel nut optional)rear mounting, solder cup

技术参数 Technical Parameter

芯数 Number of positions	3芯(pos)	4芯(pos)	5芯(pos)	8芯(pos)
接口编码类型 Interface code type	A-code	A-code	A-code	A-code
参照标准 Standards	IEC61076-2-101			
污染等级 Degree of pollution	3			
防护等级 Degree of protection	IP67			
连接方式 Connection method	焊杯式(solder cup)			
是否屏蔽 Shielding	否(No)			
机械寿命 Mechanical life	100 (mate cycles)			

电气参数 Electrical parameter

绝缘电阻 Insulation resistance	≥100 MΩ			
接触阻抗 Contact resistance	<10 mΩ			
额定电压 Rated voltage	250V	250V	60V	30V
额定电流 Rated current	4A	4A	4A	2A

材料参数 Materials parameter

插针/表面材料 Contact/surface material	CuSn/Ni/Au			
插芯材料 Contact carrier material	PA			
螺丝/螺母材料 Screw/nut material	CuZn			
密封材料 Sealing material	NBR			

工作温度 Ambient temperature operation

-40°C ~ 85°C

描述 Description

订货号 Order number

PG9	M12A03C-FPSRHUS	M12A04C-FPSRHUS	M12A05C-FPSRHUS	M12A08C-FPSRHUS
M16*1.5	M12A03C-FPSRHUR	M12A04C-FPSRHUR	M12A05C-FPSRHUR	M12A08C-FPSRHUR
—				
—				
—				
—				

M12母头,面板式连接器,板后安装(锁板螺母可选),焊杯式
M12 Male panel mount connector,f(panel nut optional)rear mounting, solder cup

技术参数 Technical Parameter

芯数 Number of positions	12芯(pos)	17芯(pos)	5芯(pos)	4芯(pos)
接口编码类型 Interface code type	A-code	A-code	B-code	D-code
参照标准 Standards	IEC61076-2-101			
污染等级 Degree of pollution	3			
防护等级 Degree of protection	IP67			
连接方式 Connection method	焊杯式(solder cup)			
是否屏蔽 Shielding	否(No)			
机械寿命 Mechanical life	100 (mate cycles)			

电气参数 Electrical parameter

绝缘电阻 Insulation resistance	≥100 MΩ			
接触阻抗 Contact resistance	<10 mΩ			
额定电压 Rated voltage	30V	30V	60V	250V
额定电流 Rated current	1.5A	1.5A	4A	4A

材料参数 Materials parameter

插针/表面材料 Contact/surface material	CuSn/Ni/Au			
插芯材料 Contact carrier material	PA			
螺丝/螺母材料 Screw/nut material	CuZn			
密封材料 Sealing material	NBR			

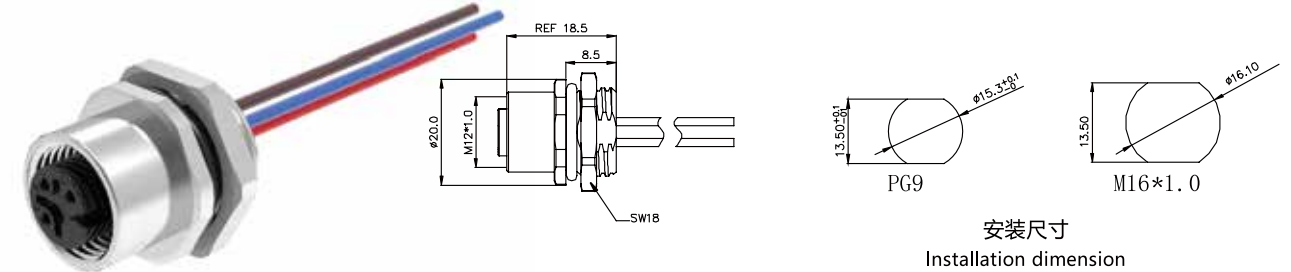
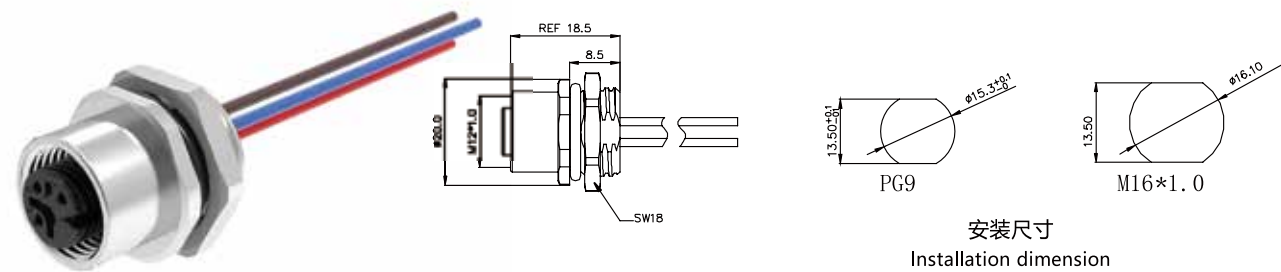
工作温度 Ambient temperature operation

-40°C ~ 85°C

描述 Description

订货号 Order number

PG9	M12A12C-FPSRHUS	M12A17C-FPSRHUS	M12B05C-FPSRHUS	M12D04C-FPSRHUS
M16*1.5	M12A12C-FPSRHUR	M12A17C-FPSRHUR	M12B05C-FPSRHUR	M12D04C-FPSRHUR
—				
—				
—				
—				



M12母头, 面板式连接器, 板前安装(锁板螺母可选), 带0.5米电子线
M12 Female panel mount connector, front mounting(panel nut optional), with 0.5m wires

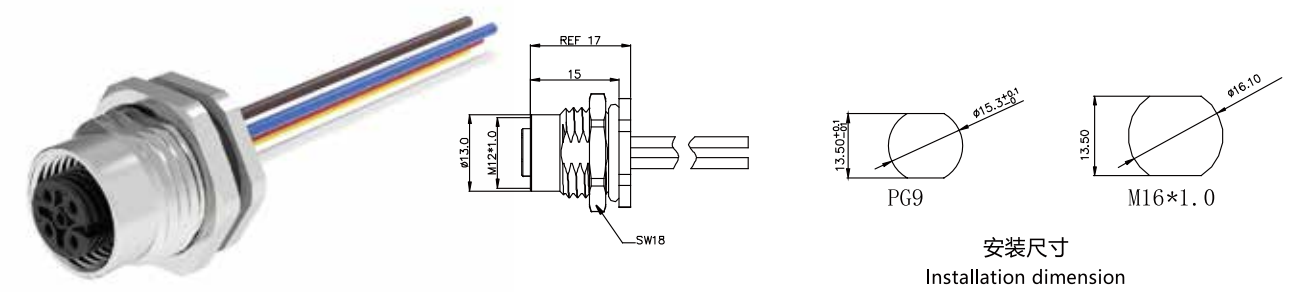
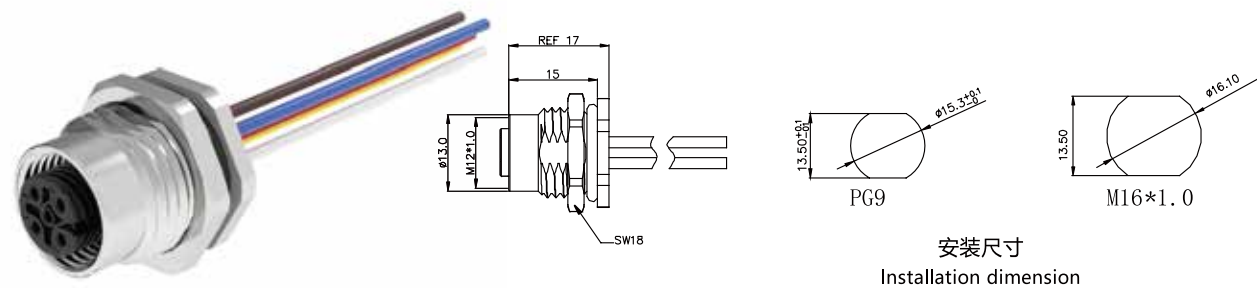
技术参数 Technical Parameter				
芯数 Number of positions	3芯(pos)	4芯(pos)	5芯(pos)	8芯(pos)
接口编码类型 Interface code type	A-code	A-code	A-code	A-code
参照标准 Standards	IEC61076-2-101			
污染等级 Degree of pollution	3			
防护等级 Degree of protection	IP67			
安装方式 Mounting type	板前安装(Front mounting)			
是否屏蔽 Shielding	否(No)			
机械寿命 Mechanical life	100 (mate cycles)			
电气参数 Electrical parameter				
绝缘电阻 Insulation resistance	≥100 MΩ			
接触阻抗 Contact resistance	<10 mΩ			
额定电压 Rated voltage	250V	250V	60V	30V
额定电流 Rated current	4A	4A	4A	2A
材料参数 Materials parameter				
插针/表面材料 Contact/surface material	CuSn/Ni/Au			
插芯材料 Contact carrier material	PA			
螺丝/螺母材料 Screw/nut material	CuZn			
密封材料 Sealing material	NBR			
工作温度 Ambient temperature operation				
	-40°C ~ 85°C			

描述 Description	订货号 Order number			
PG9	M12A03C-FFHS-UC0.5	M12A04C-FFHS-UC0.5	M12A05C-FFHS-UC0.5	M12A08C-FFHS-UC0.5
M16*1.5	M12A03C-FFHR-UC0.5	M12A04C-FFHR-UC0.5	M12A05C-FFHR-UC0.5	M12A08C-FFHR-UC0.5
—				
—				
—				
—				

M12母头, 面板式连接器, 板前安装(锁板螺母可选), 带0.5米电子线
M12 Female panel mount connector, front mounting(panel nut optional), with 0.5m wires

技术参数 Technical Parameter				
芯数 Number of positions	12芯(pos)	17芯(pos)	5芯(pos)	4芯(pos)
接口编码类型 Interface code type	A-code	A-code	B-code	D-code
参照标准 Standards	IEC61076-2-101			
污染等级 Degree of pollution	3			
防护等级 Degree of protection	IP67			
安装方式 Mounting type	板前安装(Front mounting)			
是否屏蔽 Shielding	否(No)			
机械寿命 Mechanical life	100 (mate cycles)			
电气参数 Electrical parameter				
绝缘电阻 Insulation resistance	≥100 MΩ			
接触阻抗 Contact resistance	<10 mΩ			
额定电压 Rated voltage	30V	30V	60V	250V
额定电流 Rated current	1.5A	1.5A	4A	4A
材料参数 Materials parameter				
插针/表面材料 Contact/surface material	CuSn/Ni/Au			
插芯材料 Contact carrier material	PA			
螺丝/螺母材料 Screw/nut material	CuZn			
密封材料 Sealing material	NBR			
工作温度 Ambient temperature operation				
	-40°C ~ 85°C			

描述 Description	订货号 Order number			
PG9	M12A12C-FFHS-UC0.5	M12A17C-FFHS-UC0.5	M12B05C-FFHS-UC0.5	M12D04C-FFHS-UC0.5
M16*1.5	M12A12C-FFHR-UC0.5	M12A17C-FFHR-UC0.5	M12B05C-FFHR-UC0.5	M12D04C-FFHR-UC0.5
—				
—				
—				
—				



M12母头, 面板式连接器, 板后安装(锁板螺母可选), 带0.5米电子线
M12 Female panel mount connector, (panel nut optional)rear mounting, with 0.5m wires

技术参数 Technical Parameter

芯数 Number of positions	3芯(pos)	4芯(pos)	5芯(pos)	8芯(pos)
	A-code	A-code	A-code	A-code
接口编码类型 Interface code type				
参照标准 Standards	IEC61076-2-101			
污染等级 Degree of pollution	3			
防护等级 Degree of protection	IP67			
安装方式 Mounting type	板后安装(Rear mounting)			
是否屏蔽 Shielding	否(No)			
机械寿命 Mechanical life	100 (mate cycles)			

电气参数 Electrical parameter

绝缘电阻 Insulation resistance	≥100 MΩ			
接触阻抗 Contact resistance	<10 mΩ			
额定电压 Rated voltage	250V	250V	60V	30V
额定电流 Rated current	4A	4A	4A	2A

材料参数 Materials parameter

插针/表面材料 Contact/surface material	CuSn/Ni/Au			
插芯材料 Contact carrier material	PA			
螺丝/螺母材料 Screw/nut material	CuZn			
密封材料 Sealing material	NBR			

工作温度 Ambient temperature operation

-40°C ~ 85°C

描述 Description

订货号 Order number

PG9	M12A03C-FRHS-UC0.5	M12A04C-FRHS-UC0.5	M12A05C-FRHS-UC0.5	M12A08C-FRHS-UC0.5
M16*1.5	M12A03C-FRHR-UC0.5	M12A04C-FRHR-UC0.5	M12A05C-FRHR-UC0.5	M12A08C-FRHR-UC0.5
—				
—				
—				
—				

M12母头, 面板式连接器, 板后安装(锁板螺母可选), 带0.5米电子线
M12 Female panel mount connector, (panel nut optional)rear mounting, with 0.5m wires

技术参数 Technical Parameter

芯数 Number of positions	12芯(pos)	17芯(pos)	5芯(pos)	4芯(pos)
	A-code	A-code	B-code	D-code
接口编码类型 Interface code type				
参照标准 Standards	IEC61076-2-101			
污染等级 Degree of pollution	3			
防护等级 Degree of protection	IP67			
安装方式 Mounting type	板后安装(Rear mounting)			
是否屏蔽 Shielding	否(No)			
机械寿命 Mechanical life	100 (mate cycles)			

电气参数 Electrical parameter

绝缘电阻 Insulation resistance	≥100 MΩ			
接触阻抗 Contact resistance	<10 mΩ			
额定电压 Rated voltage	30V	30V	60V	250V
额定电流 Rated current	1.5A	1.5A	4A	4A

材料参数 Materials parameter

插针/表面材料 Contact/surface material	CuSn/Ni/Au			
插芯材料 Contact carrier material	PA			
螺丝/螺母材料 Screw/nut material	CuZn			
密封材料 Sealing material	NBR			

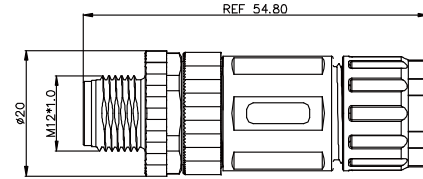
工作温度 Ambient temperature operation

-40°C ~ 85°C

描述 Description

订货号 Order number

PG9	M12A12C-FRHS-UC0.5	M12A17C-FRHS-UC0.5	M12B05C-FRHS-UC0.5	M12D04C-FRHS-UC0.5
M16*1.5	M12A12C-FRHR-UC0.5	M12A17C-FRHR-UC0.5	M12B05C-FRHR-UC0.5	M12D04C-FRHR-UC0.5
—				
—				
—				
—				



M12公直头, 组装式(现场接线), 非屏蔽, 锁螺钉式
M12 Male straight connector, assembly(field), unshield, screw

技术参数 Technical Parameter

芯数 Number of positions	3芯(pos)	4芯(pos)	5芯(pos)	8芯(pos)
	A-code	A-code	A-code	A-code
接口编码类型 Interface code type				
参照标准 Standards	IEC61076-2-101			
污染等级 Degree of pollution	3			
防护等级 Degree of protection	IP67			
连接方式 Connection method	锁螺钉式(screw)			
是否屏蔽 Shielding	否(No)			
机械寿命 Mechanical life	100 (mate cycles)			

电气参数 Electrical parameter

绝缘电阻 Insulation resistance	$\geq 100 \text{ M}\Omega$			
接触阻抗 Contact resistance	$< 10 \text{ m}\Omega$			
额定电压 Rated voltage	250V	250V	60V	30V
额定电流 Rated current	4A	4A	4A	2A

材料参数 Materials parameter

插针/表面材料 Contact/surface material	CuZn/Ni/Au			
插芯材料 Contact carrier material	PA			
螺丝/螺母材料 Screw/nut material	Znic			
密封材料 Sealing material	NBR			

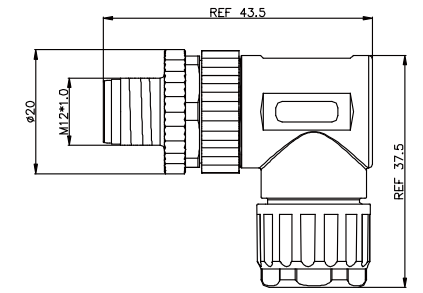
工作温度 Ambient temperature operation

-40°C ~ 85°C

描述 Description

订货号 Order number

线材直径(Cable OD.)3.5-6mm	M12A03Z-MAASTUA	M12A04Z-MAASTUA	M12A05Z-MAASTUA	M12A08Z-MAASTUA
线材直径(Cable OD.)6-8mm	M12A03Z-MAASTUB	M12A04Z-MAASTUB	M12A05Z-MAASTUB	M12A08Z-MAASTUB
—				
—				
—				
—				



M12公弯头, 组装式(现场接线), 非屏蔽, 锁螺钉式
M12 Male angled connector, assembly(field), unshield, screw

技术参数 Technical Parameter

芯数 Number of positions	3芯(pos)	4芯(pos)	5芯(pos)	8芯(pos)
	A-code	A-code	A-code	A-code
接口编码类型 Interface code type				
参照标准 Standards	IEC61076-2-101			
污染等级 Degree of pollution	3			
防护等级 Degree of protection	IP67			
连接方式 Connection method	锁螺钉式(screw)			
是否屏蔽 Shielding	否(No)			
机械寿命 Mechanical life	100 (mate cycles)			

电气参数 Electrical parameter

绝缘电阻 Insulation resistance	$\geq 100 \text{ M}\Omega$			
接触阻抗 Contact resistance	$< 10 \text{ m}\Omega$			
额定电压 Rated voltage	250V	250V	60V	30V
额定电流 Rated current	4A	4A	4A	2A

材料参数 Materials parameter

插针/表面材料 Contact/surface material	CuZn/Ni/Au			
插芯材料 Contact carrier material	PA			
螺丝/螺母材料 Screw/nut material	Znic			
密封材料 Sealing material	NBR			

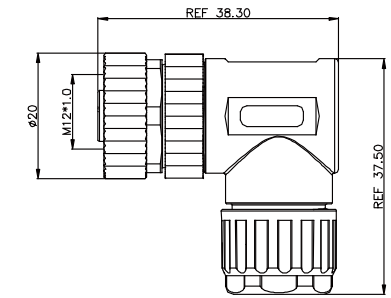
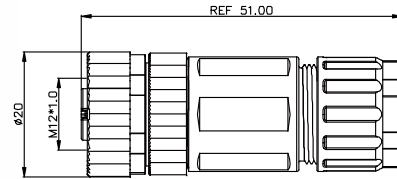
工作温度 Ambient temperature operation

-40°C ~ 85°C

描述 Description

订货号 Order number

线材直径(Cable OD.)3.5-6mm	M12A03Z-MAARUA	M12A04Z-MAARUA	M12A05Z-MAARUA	M12A08Z-MAARUA
线材直径(Cable OD.)6-8mm	M12A03Z-MAARAUB	M12A04Z-MAARAUB	M12A05Z-MAARAUB	M12A08Z-MAARAUB
—				
—				
—				
—				



M12母直头, 组装式(现场接线), 非屏蔽, 锁螺钉式
M12 Female straight connector, assembly(field), unshield, screw

技术参数 Technical Parameter

芯数 Number of positions	3芯(pos)	4芯(pos)	5芯(pos)	8芯(pos)
	A-code	A-code	A-code	A-code
接口编码类型 Interface code type				
参照标准 Standards	IEC61076-2-101			
污染等级 Degree of pollution	3			
防护等级 Degree of protection	IP67			
连接方式 Connection method	锁螺钉式(screw)			
是否屏蔽 Shielding	否(No)			
机械寿命 Mechanical life	100 (mate cycles)			

电气参数 Electrical parameter

绝缘电阻 Insulation resistance	≥100 MΩ			
接触阻抗 Contact resistance	<10 mΩ			
额定电压 Rated voltage	250V	250V	60V	30V
额定电流 Rated current	4A	4A	4A	2A

材料参数 Materials parameter

插针/表面材料 Contact/surface material	CuSn/Ni/Au			
插芯材料 Contact carrier material	PA			
螺丝/螺母材料 Screw/nut material	Znic			
密封材料 Sealing material	NBR			

工作温度 Ambient temperature operation

-40°C ~ 85°C

描述 Description

订货号 Order number

线材直径(Cable OD.)3.5-6mm	M12A03Z-FAASTUA	M12A04Z-FAASTUA	M12A05Z-FAASTUA	M12A08Z-FAASTUA
线材直径(Cable OD.)6-8mm	M12A03Z-FAASTUB	M12A04Z-FAASTUB	M12A05Z-FAASTUB	M12A08Z-FAASTUB
—				
—				
—				
—				

M12母弯头, 组装式(现场接线), 非屏蔽, 锁螺钉式
M12 Female angled connector, assembly(field), unshield, screw

技术参数 Technical Parameter

芯数 Number of positions	3芯(pos)	4芯(pos)	5芯(pos)	8芯(pos)
	A-code	A-code	A-code	A-code
接口编码类型 Interface code type				
参照标准 Standards	IEC61076-2-101			
污染等级 Degree of pollution	3			
防护等级 Degree of protection	IP67			
连接方式 Connection method	锁螺钉式(screw)			
是否屏蔽 Shielding	否(No)			
机械寿命 Mechanical life	100 (mate cycles)			

电气参数 Electrical parameter

绝缘电阻 Insulation resistance	≥100 MΩ			
接触阻抗 Contact resistance	<10 mΩ			
额定电压 Rated voltage	250V	250V	60V	30V
额定电流 Rated current	4A	4A	4A	2A

材料参数 Materials parameter

插针/表面材料 Contact/surface material	CuSn/Ni/Au			
插芯材料 Contact carrier material	PA			
螺丝/螺母材料 Screw/nut material	Znic			
密封材料 Sealing material	NBR			

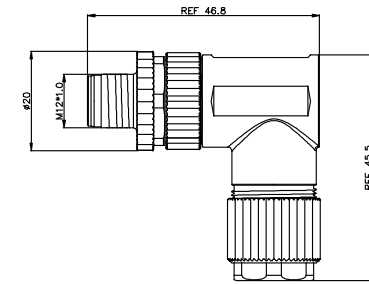
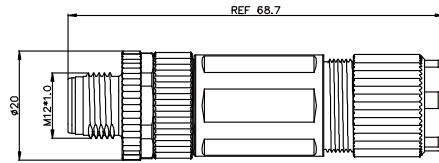
工作温度 Ambient temperature operation

-40°C ~ 85°C

描述 Description

订货号 Order number

线材直径(Cable OD.)3.5-6mm	M12A03Z-FAARUA	M12A04Z-FAARUA	M12A05Z-FAARUA	M12A08Z-FAARUA
线材直径(Cable OD.)6-8mm	M12A03Z-FAARUB	M12A04Z-FAARUB	M12A05Z-FAARUB	M12A08Z-FAARUB
—				
—				
—				
—				



M12公直头, 组装式(现场接线), 屏蔽, 锁螺钉式
M12 Male straight connector, assembly(field), shield, screw

技术参数 Technical Parameter

芯数 Number of positions	3芯(pos)	4芯(pos)	5芯(pos)	8芯(pos)
	A-code	A-code	A-code	A-code
接口编码类型 Interface code type				
参照标准 Standards	IEC61076-2-101			
污染等级 Degree of pollution	3			
防护等级 Degree of protection	IP67			
连接方式 Connection method	锁螺钉式(screw)			
是否屏蔽 Shielding	是(Yes)			
机械寿命 Mechanical life	100 (mate cycles)			

电气参数 Electrical parameter

绝缘电阻 Insulation resistance	≥100 MΩ			
接触阻抗 Contact resistance	<10 mΩ			
额定电压 Rated voltage	250V	250V	60V	30V
额定电流 Rated current	4A	4A	4A	2A

材料参数 Materials parameter

插针/表面材料 Contact/surface material	CuZn/Ni/Au			
插芯材料 Contact carrier material	PA			
螺丝/螺母材料 Screw/nut material	Znic			
密封材料 Sealing material	NBR			

工作温度 Ambient temperature operation

-40°C ~ 85°C

描述 Description

订货号 Order number

线材直径(Cable OD.)3.5-6mm	M12A03Z-MAASTSA	M12A04Z-MAASTSA	M12A05Z-MAASTSA	M12A08Z-MAASTSA
线材直径(Cable OD.)6-8mm	M12A03Z-MAASTSB	M12A04Z-MAASTSB	M12A05Z-MAASTSB	M12A08Z-MAASTSB
—				
—				
—				
—				

M12公弯头, 组装式(现场接线), 屏蔽, 锁螺钉式
M12 Male angled connector, assembly(field), shield, screw

技术参数 Technical Parameter

芯数 Number of positions	3芯(pos)	4芯(pos)	5芯(pos)	8芯(pos)
	A-code	A-code	A-code	A-code
接口编码类型 Interface code type				
参照标准 Standards	IEC61076-2-101			
污染等级 Degree of pollution	3			
防护等级 Degree of protection	IP67			
连接方式 Connection method	锁螺钉式(screw)			
是否屏蔽 Shielding	是(Yes)			
机械寿命 Mechanical life	100 (mate cycles)			

电气参数 Electrical parameter

绝缘电阻 Insulation resistance	≥100 MΩ			
接触阻抗 Contact resistance	<10 mΩ			
额定电压 Rated voltage	250V	250V	60V	30V
额定电流 Rated current	4A	4A	4A	2A

材料参数 Materials parameter

插针/表面材料 Contact/surface material	CuZn/Ni/Au			
插芯材料 Contact carrier material	PA			
螺丝/螺母材料 Screw/nut material	Znic			
密封材料 Sealing material	NBR			

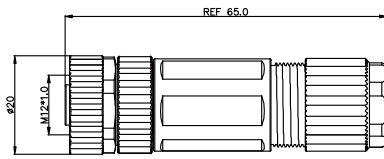
工作温度 Ambient temperature operation

-40°C ~ 85°C

描述 Description

订货号 Order number

线材直径(Cable OD.)3.5-6mm	M12A03Z-MAARASA	M12A04Z-MAARASA	M12A05Z-MAARASA	M12A08Z-MAARASA
线材直径(Cable OD.)6-8mm	M12A03Z-MAARASB	M12A04Z-MAARASB	M12A05Z-MAARASB	M12A08Z-MAARASB
—				
—				
—				
—				



M12母直头，组装机(现场接线)，屏蔽，锁螺钉式
M12 Female straight connector, assembly(field), shield, screw

技术参数 Technical Parameter

芯数 Number of positions	3芯(pos)	4芯(pos)	5芯(pos)	8芯(pos)
	A-code	A-code	A-code	A-code
接口编码类型 Interface code type				
参照标准 Standards	IEC61076-2-101			
污染等级 Degree of pollution	3			
防护等级 Degree of protection	IP67			
连接方式 Connection method	锁螺钉式(screw)			
是否屏蔽 Shielding	是(Yes)			
机械寿命 Mechanical life	100 (mate cycles)			

电气参数 Electrical parameter

绝缘电阻 Insulation resistance	≥100 MΩ			
接触阻抗 Contact resistance	<10 mΩ			
额定电压 Rated voltage	250V	250V	60V	30V
额定电流 Rated current	4A	4A	4A	2A

材料参数 Materials parameter

插针/表面材料 Contact/surface material	CuSn/Ni/Au			
插芯材料 Contact carrier material	PA			
螺丝/螺母材料 Screw/nut material	Znic			
密封材料 Sealing material	NBR			

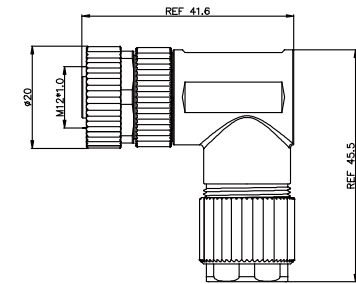
工作温度 Ambient temperature operation

-40°C ~ 85°C

描述 Description

订货号 Order number

线材直径(Cable OD.)3.5-6mm	M12A03Z-FAASTSA	M12A04Z-FAASTSA	M12A05Z-FAASTSA	M12A08Z-FAASTSA
线材直径(Cable OD.)6-8mm	M12A03Z-FAASTSB	M12A04Z-FAASTSB	M12A05Z-FAASTSB	M12A08Z-FAASTSB
—				
—				
—				
—				



M12母弯头，组装机(现场接线)，屏蔽，锁螺钉式
M12 Female angled connector, assembly(field), shield, screw

技术参数 Technical Parameter

芯数 Number of positions	3芯(pos)	4芯(pos)	5芯(pos)	8芯(pos)
	A-code	A-code	A-code	A-code
接口编码类型 Interface code type				
参照标准 Standards	IEC61076-2-101			
污染等级 Degree of pollution	3			
防护等级 Degree of protection	IP67			
连接方式 Connection method	锁螺钉式(screw)			
是否屏蔽 Shielding	是(Yes)			
机械寿命 Mechanical life	100 (mate cycles)			

电气参数 Electrical parameter

绝缘电阻 Insulation resistance	≥100 MΩ			
接触阻抗 Contact resistance	<10 mΩ			
额定电压 Rated voltage	250V	250V	60V	30V
额定电流 Rated current	4A	4A	4A	2A

材料参数 Materials parameter

插针/表面材料 Contact/surface material	CuSn/Ni/Au			
插芯材料 Contact carrier material	PA			
螺丝/螺母材料 Screw/nut material	Znic			
密封材料 Sealing material	NBR			

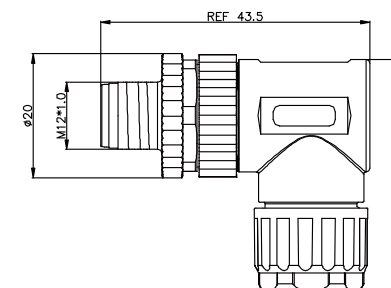
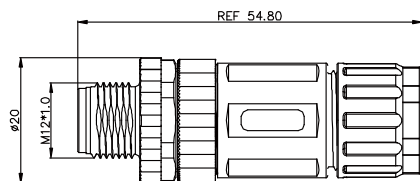
工作温度 Ambient temperature operation

-40°C ~ 85°C

描述 Description

订货号 Order number

线材直径(Cable OD.)3.5-6mm	M12A03Z-FAARASA	M12A04Z-FAARASA	M12A05Z-FAARASA	M12A08Z-FAARASA
线材直径(Cable OD.)6-8mm	M12A03Z-FAARASB	M12A04Z-FAARASB	M12A05Z-FAARASB	M12A08Z-FAARASB
—				
—				
—				
—				



M12公直头, 组装式(现场接线), 非屏蔽, 焊杯式
M12 Male straight connector, assembly(field), unshield, solder cup

技术参数 Technical Parameter

芯数 Number of positions	3芯(pos)	4芯(pos)	5芯(pos)	8芯(pos)
	A-code	A-code	A-code	A-code
接口编码类型 Interface code type				
参照标准 Standards	IEC61076-2-101			
污染等级 Degree of pollution	3			
防护等级 Degree of protection	IP67			
连接方式 Connection method	焊杯式(solder cup)			
是否屏蔽 Shielding	否(No)			
机械寿命 Mechanical life	100 (mate cycles)			

电气参数 Electrical parameter

绝缘电阻 Insulation resistance	≥100 MΩ			
接触阻抗 Contact resistance	<10 mΩ			
额定电压 Rated voltage	250V	250V	60V	30V
额定电流 Rated current	4A	4A	4A	2A

材料参数 Materials parameter

插针/表面材料 Contact/surface material	CuZn/Ni/Au			
插芯材料 Contact carrier material	PA			
螺丝/螺母材料 Screw/nut material	Znic			
密封材料 Sealing material	NBR			

工作温度 Ambient temperature operation

-40°C ~ 85°C

描述 Description

订货号 Order number

线材直径(Cable OD.)3.5-6mm	M12A03Z-MASSTUA	M12A04Z-MASSTUA	M12A05Z-MASSTUA	M12A08Z-MASSTUA
线材直径(Cable OD.)6-8mm	M12A03Z-MASSTUB	M12A04Z-MASSTUB	M12A05Z-MASSTUB	M12A08Z-MASSTUB
—				
—				
—				
—				

M12公弯头, 组装式(现场接线), 非屏蔽, 焊杯式
M12 Male angled connector, assembly(field), unshield, solder cup

技术参数 Technical Parameter

芯数 Number of positions	3芯(pos)	4芯(pos)	5芯(pos)	8芯(pos)
	A-code	A-code	A-code	A-code
接口编码类型 Interface code type				
参照标准 Standards	IEC61076-2-101			
污染等级 Degree of pollution	3			
防护等级 Degree of protection	IP67			
连接方式 Connection method	焊杯式(solder cup)			
是否屏蔽 Shielding	否(No)			
机械寿命 Mechanical life	100 (mate cycles)			

电气参数 Electrical parameter

绝缘电阻 Insulation resistance	≥100 MΩ			
接触阻抗 Contact resistance	<10 mΩ			
额定电压 Rated voltage	250V	250V	60V	30V
额定电流 Rated current	4A	4A	4A	2A

材料参数 Materials parameter

插针/表面材料 Contact/surface material	CuZn/Ni/Au			
插芯材料 Contact carrier material	PA			
螺丝/螺母材料 Screw/nut material	Znic			
密封材料 Sealing material	NBR			

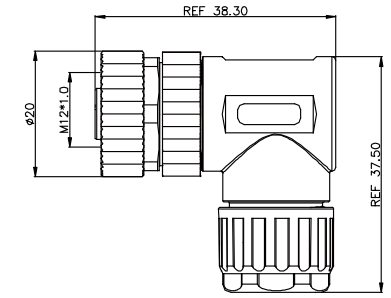
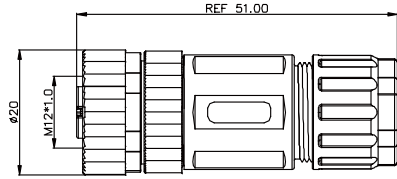
工作温度 Ambient temperature operation

-40°C ~ 85°C

描述 Description

订货号 Order number

线材直径(Cable OD.)3.5-6mm	M12A03Z-MASRAUA	M12A04Z-MASRAUA	M12A05Z-MASRAUA	M12A08Z-MASRAUA
线材直径(Cable OD.)6-8mm	M12A03Z-MASRAUB	M12A04Z-MASRAUB	M12A05Z-MASRAUB	M12A08Z-MASRAUB
—				
—				
—				
—				



M12母直头, 组装式(现场接线), 非屏蔽, 焊杯式
M12 Female straight connector, assembly(field), unshield, solder cup

技术参数 Technical Parameter

芯数 Number of positions	3芯(pos)	4芯(pos)	5芯(pos)	8芯(pos)
	A-code	A-code	A-code	A-code
接口编码类型 Interface code type				
参照标准 Standards	IEC61076-2-101			
污染等级 Degree of pollution	3			
防护等级 Degree of protection	IP67			
连接方式 Connection method	焊杯式(solder cup)			
是否屏蔽 Shielding	否(No)			
机械寿命 Mechanical life	100 (mate cycles)			

电气参数 Electrical parameter

绝缘电阻 Insulation resistance	≥100 MΩ			
接触阻抗 Contact resistance	<10 mΩ			
额定电压 Rated voltage	250V	250V	60V	30V
额定电流 Rated current	4A	4A	4A	2A

材料参数 Materials parameter

插针/表面材料 Contact/surface material	CuSn/Ni/Au			
插芯材料 Contact carrier material	PA			
螺丝/螺母材料 Screw/nut material	Znic			
密封材料 Sealing material	NBR			

工作温度 Ambient temperature operation

-40°C ~ 85°C

描述 Description

订货号 Order number

线材直径(Cable OD.)3.5-6mm	M12A03Z-FASSTUA	M12A04Z-FASSTUA	M12A05Z-FASSTUA	M12A08Z-FASSTUA
线材直径(Cable OD.)6-8mm	M12A03Z-FASSTUB	M12A04Z-FASSTUB	M12A05Z-FASSTUB	M12A08Z-FASSTUB
—				
—				
—				
—				

M12母弯头, 组装式(现场接线), 非屏蔽, 焊杯式
M12 Female angled connector, assembly(field), unshield, solder cup

技术参数 Technical Parameter

芯数 Number of positions	3芯(pos)	4芯(pos)	5芯(pos)	8芯(pos)
	A-code	A-code	A-code	A-code
接口编码类型 Interface code type				
参照标准 Standards	IEC61076-2-101			
污染等级 Degree of pollution	3			
防护等级 Degree of protection	IP67			
连接方式 Connection method	焊杯式(solder cup)			
是否屏蔽 Shielding	否(No)			
机械寿命 Mechanical life	100 (mate cycles)			

电气参数 Electrical parameter

绝缘电阻 Insulation resistance	≥100 MΩ			
接触阻抗 Contact resistance	<10 mΩ			
额定电压 Rated voltage	250V	250V	60V	30V
额定电流 Rated current	4A	4A	4A	2A

材料参数 Materials parameter

插针/表面材料 Contact/surface material	CuSn/Ni/Au			
插芯材料 Contact carrier material	PA			
螺丝/螺母材料 Screw/nut material	Znic			
密封材料 Sealing material	NBR			

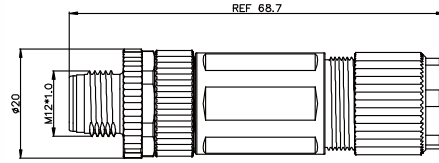
工作温度 Ambient temperature operation

-40°C ~ 85°C

描述 Description

订货号 Order number

线材直径(Cable OD.)3.5-6mm	M12A03Z-FASRAUA	M12A04Z-FASRAUA	M12A05Z-FASRAUA	M12A08Z-FASRAUA
线材直径(Cable OD.)6-8mm	M12A03Z-FASRAUB	M12A04Z-FASRAUB	M12A05Z-FASRAUB	M12A08Z-FASRAUB
—				
—				
—				
—				



M12公直头, 组装式(现场接线), 屏蔽, 焊杯式
M12 Male straight connector, assembly(field), shield, solder cup

技术参数 Technical Parameter

芯数 Number of positions	3芯(pos)	4芯(pos)	5芯(pos)	8芯(pos)
	A-code	A-code	A-code	A-code
接口编码类型 Interface code type				
参照标准 Standards	IEC61076-2-101			
污染等级 Degree of pollution	3			
防护等级 Degree of protection	IP67			
连接方式 Connection method	焊杯式(solder cup)			
是否屏蔽 Shielding	是(Yes)			
机械寿命 Mechanical life	100 (mate cycles)			

电气参数 Electrical parameter

绝缘电阻 Insulation resistance	≥100 MΩ			
接触阻抗 Contact resistance	<10 mΩ			
额定电压 Rated voltage	250V	250V	60V	30V
额定电流 Rated current	4A	4A	4A	2A

材料参数 Materials parameter

插针/表面材料 Contact/surface material	CuZn/Ni/Au			
插芯材料 Contact carrier material	PA			
螺丝/螺母材料 Screw/nut material	Znic			
密封材料 Sealing material	NBR			

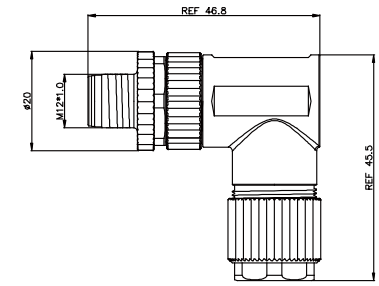
工作温度 Ambient temperature operation

-40°C ~ 85°C

描述 Description

订货号 Order number

线材直径(Cable OD.)3.5-6mm	M12A03Z-MASSTSA	M12A04Z-MASSTSA	M12A05Z-MASSTSA	M12A08Z-MASSTSA
线材直径(Cable OD.)6-8mm	M12A03Z-MASSTSB	M12A04Z-MASSTSB	M12A05Z-MASSTSB	M12A08Z-MASSTSB
—				
—				
—				
—				



M12公弯头, 组装式(现场接线), 屏蔽, 焊杯式
M12 Male angled connector, assembly(field), shield, solder cup

技术参数 Technical Parameter

芯数 Number of positions	3芯(pos)	4芯(pos)	5芯(pos)	8芯(pos)
	A-code	A-code	A-code	A-code
接口编码类型 Interface code type				
参照标准 Standards	IEC61076-2-101			
污染等级 Degree of pollution	3			
防护等级 Degree of protection	IP67			
连接方式 Connection method	焊杯式(solder cup)			
是否屏蔽 Shielding	是(Yes)			
机械寿命 Mechanical life	100 (mate cycles)			

电气参数 Electrical parameter

绝缘电阻 Insulation resistance	≥100 MΩ			
接触阻抗 Contact resistance	<10 mΩ			
额定电压 Rated voltage	250V	250V	60V	30V
额定电流 Rated current	4A	4A	4A	2A

材料参数 Materials parameter

插针/表面材料 Contact/surface material	CuZn/Ni/Au			
插芯材料 Contact carrier material	PA			
螺丝/螺母材料 Screw/nut material	Znic			
密封材料 Sealing material	NBR			

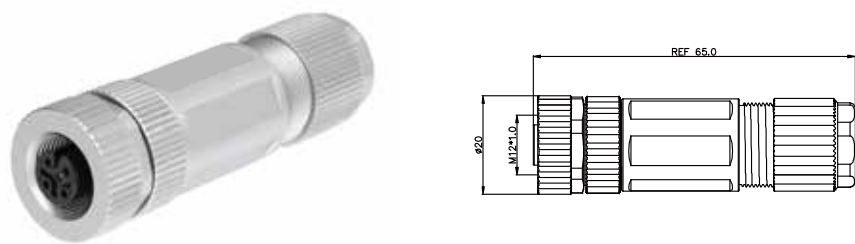
工作温度 Ambient temperature operation

-40°C ~ 85°C

描述 Description

订货号 Order number

线材直径(Cable OD.)3.5-6mm	M12A03Z-MASRASA	M12A04Z-MASRASA	M12A05Z-MASRASA	M12A08Z-MASRASA
线材直径(Cable OD.)6-8mm	M12A03Z-MASRASB	M12A04Z-MASRASB	M12A05Z-MASRASB	M12A08Z-MASRASB
—				
—				
—				
—				



M12母直头, 组装式(现场接线), 屏蔽, 焊杯式
M12 Female straight connector, assembly(field), shield, solder cup

技术参数 Technical Parameter

芯数 Number of positions	3芯(pos)	4芯(pos)	5芯(pos)	8芯(pos)
接口编码类型 Interface code type	A-code	A-code	A-code	A-code
参照标准 Standards	IEC61076-2-101			
污染等级 Degree of pollution	3			
防护等级 Degree of protection	IP67			
连接方式 Connection method	焊杯式(solder cup)			
是否屏蔽 Shielding	是(Yes)			
机械寿命 Mechanical life	100 (mate cycles)			

电气参数 Electrical parameter

绝缘电阻 Insulation resistance	≥100 MΩ			
接触阻抗 Contact resistance	<10 mΩ			
额定电压 Rated voltage	250V	250V	60V	30V
额定电流 Rated current	4A	4A	4A	2A

材料参数 Materials parameter

插针/表面材料 Contact/surface material	CuSn/Ni/Au			
插芯材料 Contact carrier material	PA			
螺丝/螺母材料 Screw/nut material	Znic			
密封材料 Sealing material	NBR			

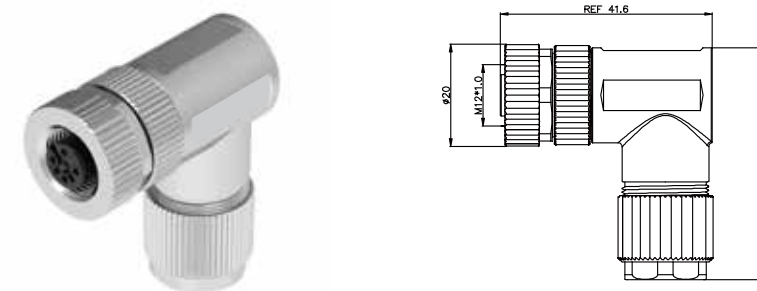
工作温度 Ambient temperature operation

-40°C ~ 85°C

描述 Description

订货号 Order number

线材直径(Cable OD.)3.5-6mm	M12A03Z-FASSTSA	M12A04Z-FASSTSA	M12A05Z-FASSTSA	M12A08Z-FASSTSA
线材直径(Cable OD.)6-8mm	M12A03Z-FASSTSB	M12A04Z-FASSTSB	M12A05Z-FASSTSB	M12A08Z-FASSTSB
—				
—				
—				
—				



M12母弯头, 组装式(现场接线), 屏蔽, 焊杯式
M12 Female angled connector, assembly(field), shield, solder cup

技术参数 Technical Parameter

芯数 Number of positions	3芯(pos)	4芯(pos)	5芯(pos)	8芯(pos)
接口编码类型 Interface code type	A-code	A-code	A-code	A-code
参照标准 Standards	IEC61076-2-101			
污染等级 Degree of pollution	3			
防护等级 Degree of protection	IP67			
连接方式 Connection method	焊杯式(solder cup)			
是否屏蔽 Shielding	是(Yes)			
机械寿命 Mechanical life	100 (mate cycles)			

电气参数 Electrical parameter

绝缘电阻 Insulation resistance	≥100 MΩ			
接触阻抗 Contact resistance	<10 mΩ			
额定电压 Rated voltage	250V	250V	60V	30V
额定电流 Rated current	4A	4A	4A	2A

材料参数 Materials parameter

插针/表面材料 Contact/surface material	CuSn/Ni/Au			
插芯材料 Contact carrier material	PA			
螺丝/螺母材料 Screw/nut material	Znic			
密封材料 Sealing material	NBR			

工作温度 Ambient temperature operation

-40°C ~ 85°C

描述 Description

订货号 Order number

线材直径(Cable OD.)3.5-6mm	M12A03Z-FASRASA	M12A04Z-FASRASA	M12A05Z-FASRASA	M12A08Z-FASRASA
线材直径(Cable OD.)6-8mm	M12A03Z-FASRASB	M12A04Z-FASRASB	M12A05Z-FASRASB	M12A08Z-FASRASB
—				
—				
—				
—				