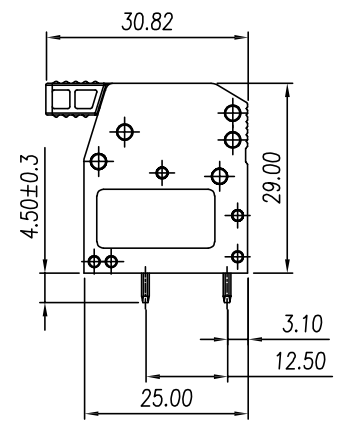
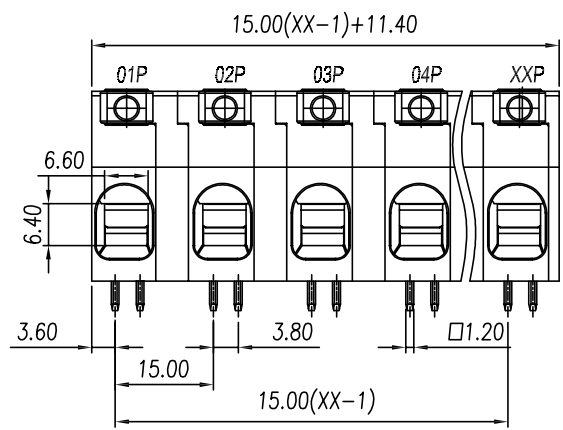
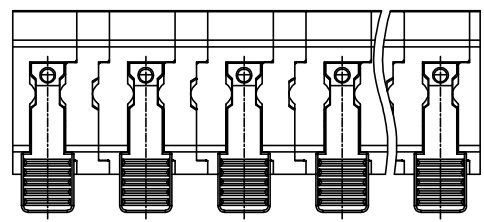
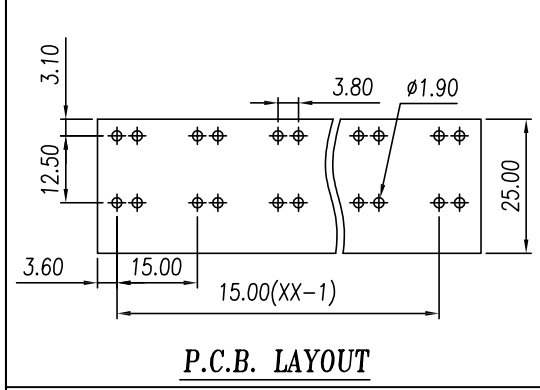


linear dimension(Tolerances Standard GB/T 14486-2008)								— ▯ ⊥		
variable range	to	over	over	over	over	over	over	to	over	over
	6	6 to 10	10 to 30	30 to 60	60 to 100	100 to 160	160 to			
tolerance	±0.20	±0.30	±0.50	±0.70	±1.00	±1.30	±1.60	0.10	0.30	0.60



DB240R — 15.0 — XXP — C

(Series No.) (Pitch) (Poles)

(Color) : GN:(Green), BK:(Black), BU:(Blue), RD:(Red), GY:(Gray)  
OG:(Orange), WT:(White), YL:(Yellow), CR:(Clear)

APPD: JTING Chen 2022.4.6  
CHKD: Duck Mao 2022.4.6  
DRFT: Steven Lu 2022.4.6

**DORABO** 宁波地博电气有限公司  
Ningbo Dorabo Electric CO., Ltd

NAME: DB240R-15.0-XXP-C

TYPE: CUSTOMER_DRAWING	SIZE: A4	mm (inch)	REV	T0-1
SCALE: 1:1	SHEET	1/1		

UL/CUL 技术参数	UL/CUL Technical Data			cRU us		
等级	Use Group	B	C	D		
额定电压	Rated Voltage [V]	600	600	-		
额定电流	Rated Current [A]	51	51	-		
接线范围	Wire Range	18-4				
单/多芯线	Solid/Stranded [AWG]					
耐电压	Withstanding Voltage	2200V/1Min				
IEC 技术参数						
IEC Technical Data						
过电压类别	Overvoltage Category	III	III	II		
污染等级	Contamination Class	3	2	2		
额定电压	Rated Voltage [V]	1000	1000	1000		
额定电流	Rated Current [A]	67	67	67		
额定冲击电压	Impulse withstand voltagea [KV]	8.0	8.0	8.0		
导线截面积	Conductor cross section	0.2-16				
硬质/柔性导线	Solid/ flexible [mm <sup>2</sup> ]					
材料						
绝缘材料	Insulation Material	PA				
阻燃等级	Infammability	UL94V-0				
导体材料	Contactur Material	铜合金 Copper alloy				
导体表面镀层	Contactive Coating	镀锡 Sn Plated				
一般参数						
间距	Pitch [mm]	15.0				
极数	Poles [P]	2-24				
剥线长度	Stripping Length [mm]	17-18				
螺丝	Screw/扭矩 Torque(Max) [N.m]	-				
工作温度	Operating temperatur [°C]	-40~+105				
引针尺寸	Pin Dimensions [mm]	-				
PCB板孔径	PCB Hole Diameter [mm]	1.90				