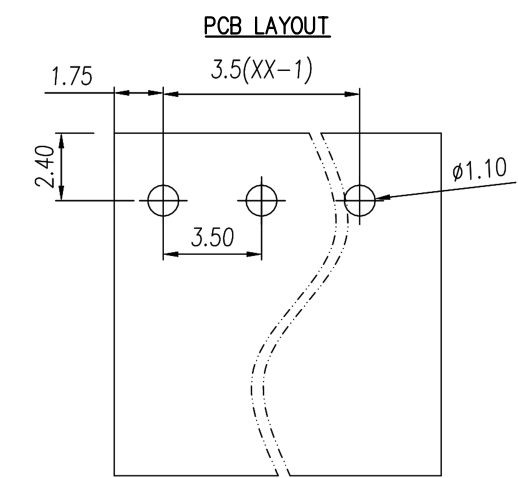
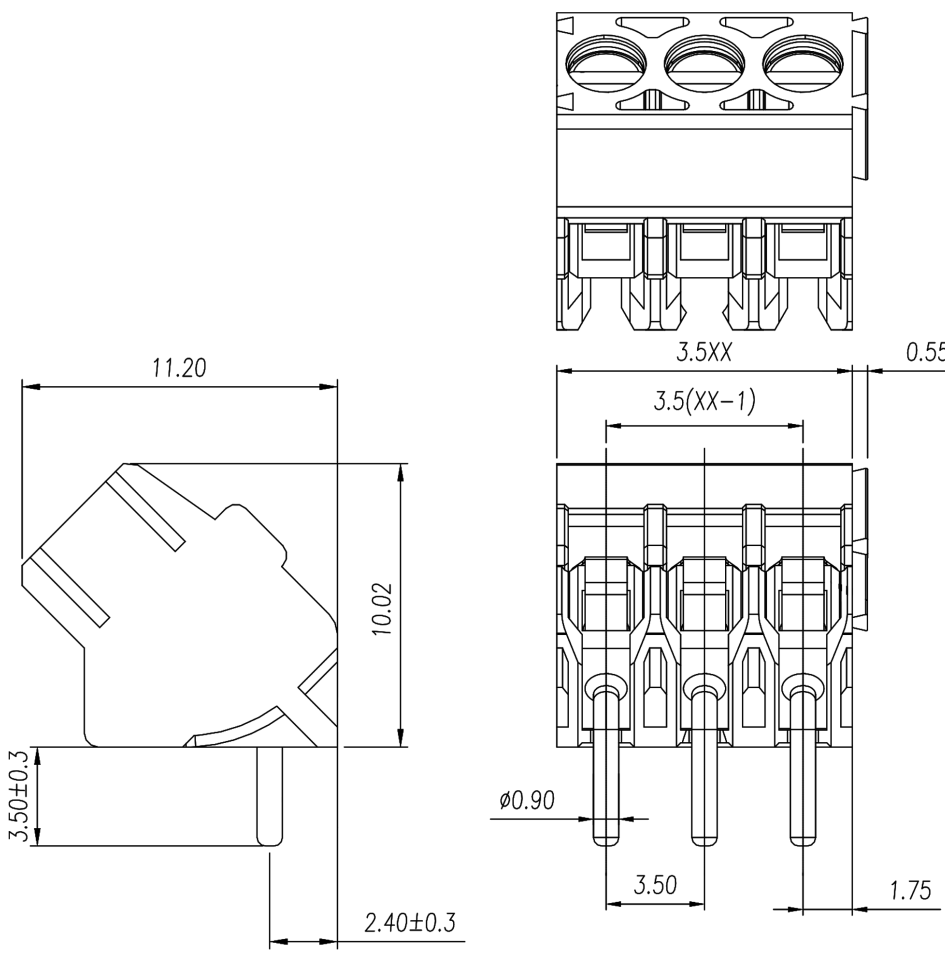


未注公差/General tolerances(mm)

0	>3	>6	>10	>18	>30	>50	>80	>120	>180	>250	>315	>400	>500	0.1/10 ±2'
~3	~6	~10	~18	~30	~50	~80	~120	~180	~250	~315	~400	~500		
±0.12	±0.18	±0.22	±0.26	±0.31	±0.37	±0.57	±0.80	±0.93	±1.05	±1.15	±1.60	±2.20	±2.50	

REV	ECN	DESCRIPTION	DRFT	DATE



DB302S — 3.5 — XXP — C  
 (Series No.) (Pitch) (Poles)

(Color):GN:(Green), BK:(Black), BU:(Blue), RD:(Red), GY:(Gray)  
 OG:(Orange), WT:(White), YL:(Yellow), CR:(Clear)

UL 标准/UL Standard:	B	C	D
额定电压/电流/Rated Voltage(V)/Current(A)	300/10	/	300/10
IEC 标准/IEC Standard:			
过压类别/Overvoltage Category/污染等级/Pollution Degree	III/3	III/2	II/2
额定电压/电流/Rated Voltage(V)/Current(A)	160/17.5	200/17.5	400/17.5
额定脉冲电压(KV)/Rate Impulse Voltage(KV)	2.5	2.5	2.5
线径范围(硬线和软线)/Wire Range(rigid and flexible)(AWG/mm <sup>2</sup> )	26~16/0.2~1.5		
间距/Pitch(mm)/线数范围/Poles	3.5/02~24P		
剥线长度/Stripping length(mm)	5		
使用温度范围/Operating temperature(°C)	-40~+105		
符合RoHS环保要求/Conform to RoHS	Yes		

4	Screw	Steel	M2/Zn plated
3	Cage	Copper alloy	M2/Ni plated
2	Housing	PA66	UL94V-0
1	Pin header	Copper alloy	Sn Plated
ITEM	NAME OF PART	MATERIAL	NOTES

MAT NO.:	/	宁波地博电气有限公司 NINGBO DORABO ELECTRIC CO., LTD			
STATUS:	/				
APPD: Steven Lu	2026.03.31	NAME:			
CHKD: Jting Chen	2026.03.31	DB302S-3.5-XXP-C			
DRFT: Tom Mao	2026.03.31	DRAWING NO.:	REV	A	
SIZE: A4	mm (inch)	TYPE: CUSTOMER DRAWING	SCALE: 1:1	SHEET	1/1