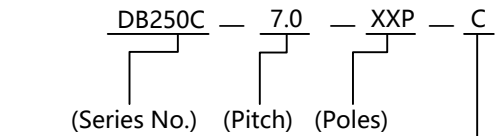
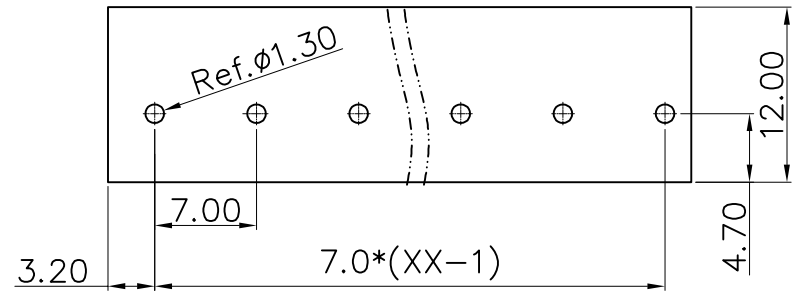
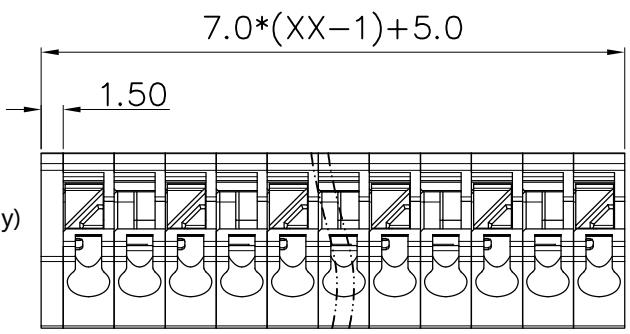


未注公差/General tolerances(mm)													
0	>3	>6	>10	>18	>30	>50	>80	>120	>180	>250	>315	>400	>500
~3	~6	~10	~18	~30	~50	~80	~120	~180	~250	~315	~400	~500	
±0.12	±0.18	±0.22	±0.26	±0.31	±0.37	±0.57	±0.80	±0.93	±1.05	±1.15	±1.60	±2.20	±2.50

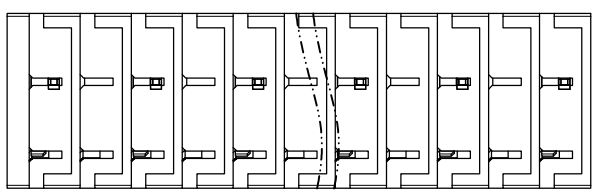
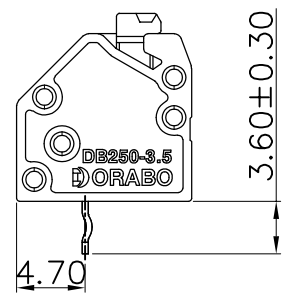
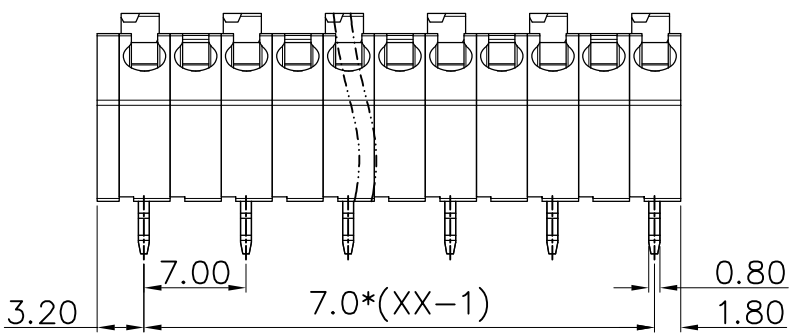
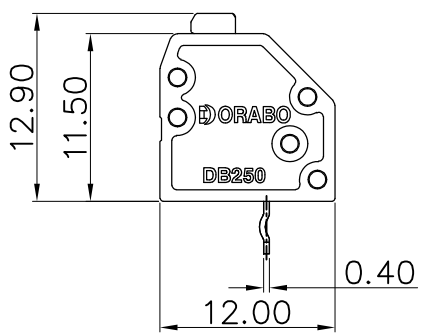
REV	ECN	DESCRIPTION	DRFT	DATE



(Color):GN:(Green), BK:(Black), BU:(Blue), RD:(Red), GY:(Gray)
 OG:(Orange), WT:(White), YL:(Yellow), CR:(Clear)



PCB LAYOUT



UL 标准/UL Standard:	B	C	D
额定电压/电流/Rated Voltage(V)/Current(A)	300/8	300/8	300/8
IEC 标准/IEC Standard:			
过压类别/Overvoltage Category/污染等级/Pollution Degree	III/3	III/2	II/2
额定电压/电流/Rated Voltage(V)/Current(A)	500/10	630/10	1000/10
额定脉冲电压(KV)/Rate Impulse Voltage(KV)		6	
螺丝扭矩/Torque Tightening(N·m/Lb.in)		/	
线径范围(硬线和软线)/Wire Range(rigid and flexible)(mm ² /AWG)		22~16/0.2~1.5	
间距/Pitch(mm)/线数范围/Poles		7.0/XX=02~12P	
剥线长度/Stripping length(mm)		8.5~9.5	
使用温度范围/Operating temperature(°C)		-40~+105	
符合RoHS环保要求/Conform to RoHS		Yes	

Conductor	Copper alloy	Sn Plated
Button	PA66	UL94V-0
Insulator	PA66	UL94V-0
NAME OF PART	MATERIAL	NOTES

MAT NO.:	/
STATUS:	/
APPD:	MARK 2025.06.02
CHKD:	MARK 2025.06.02
DRFT:	MARK 2025.06.02
SIZE:	A4

宁波地博电气有限公司 NINGBO DORABO ELECTRIC CO., LTD			
NAME: DB250C-7.0-XXP-C			
DRAWING NO.:	/	REV	MO
TYPE: CUSTOMER_DRAWING	SCALE: 1:1	SHEET	1/1